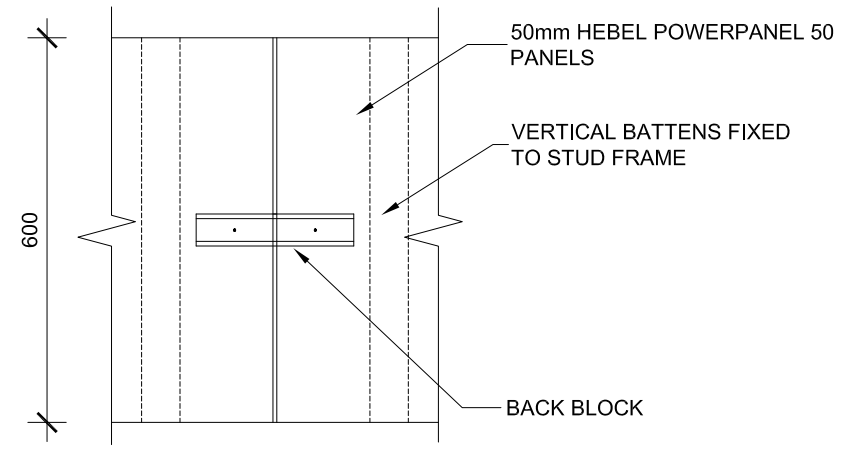
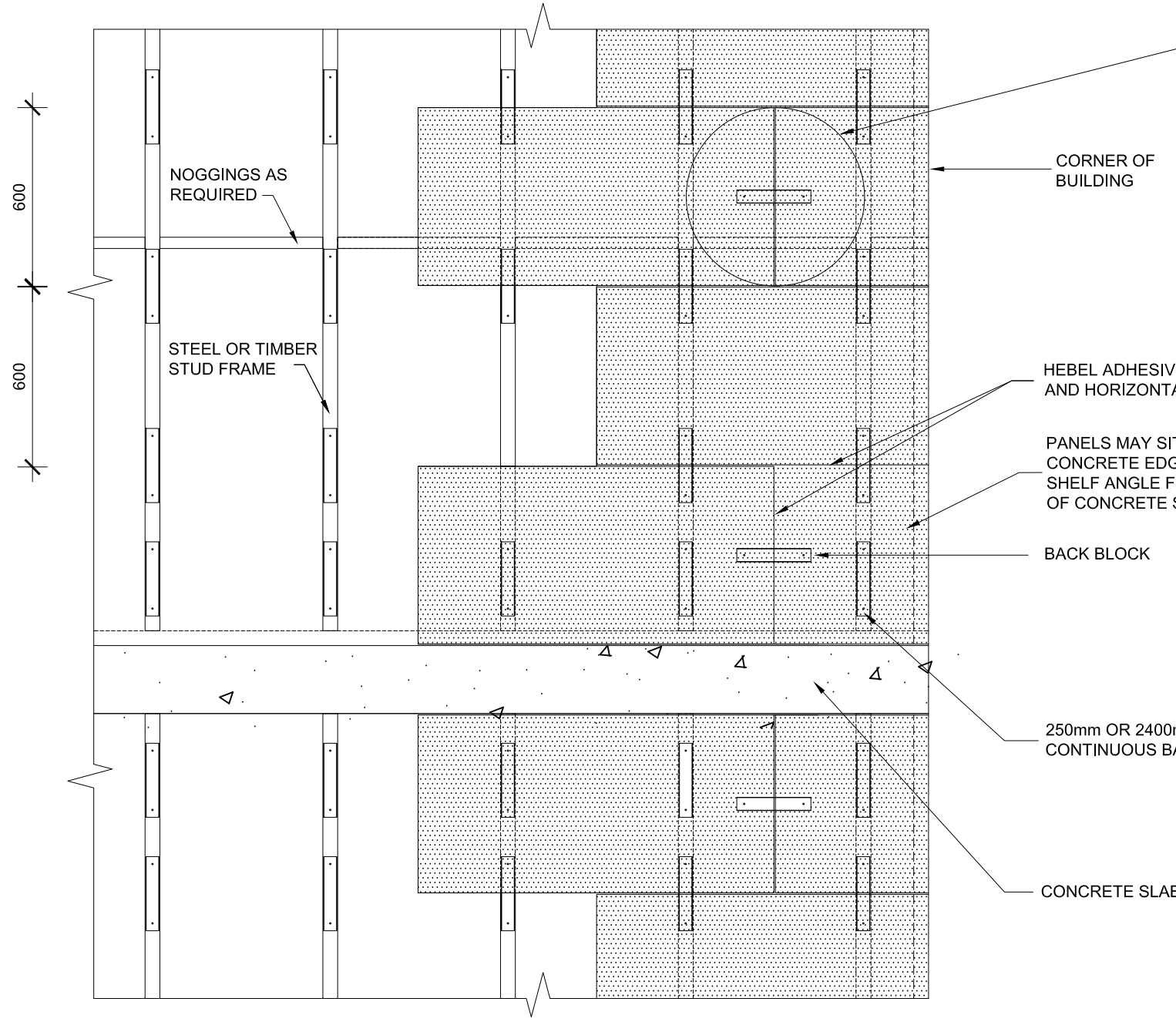
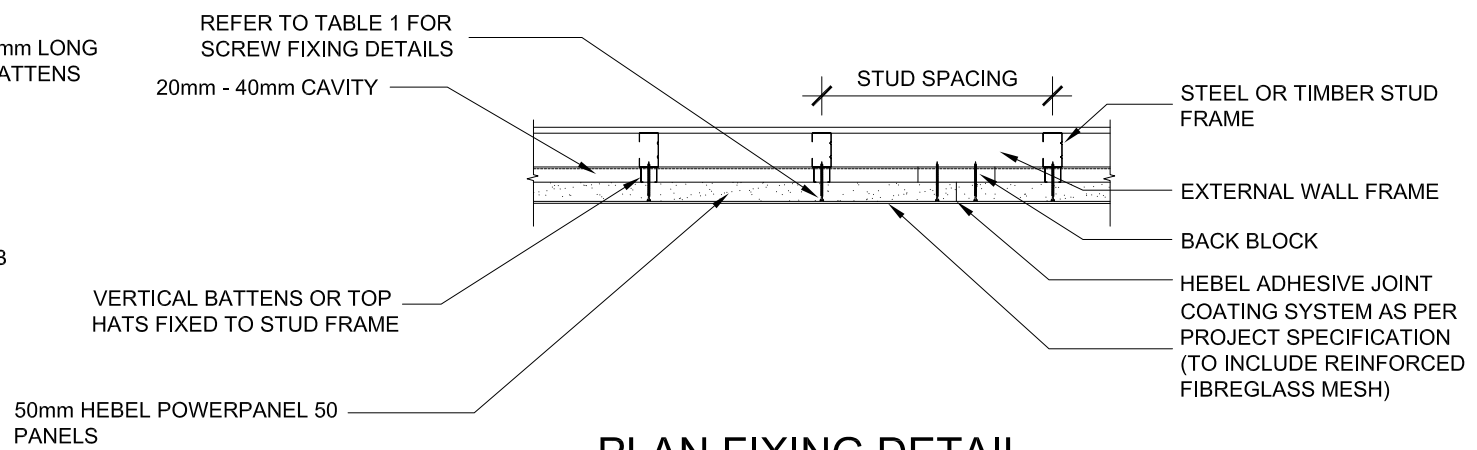


# 50mm HIGH RISE FACADE DETAILS - GENERAL ARRANGEMENT



**BACK BLOCK DETAIL**  
SCALE 1:20



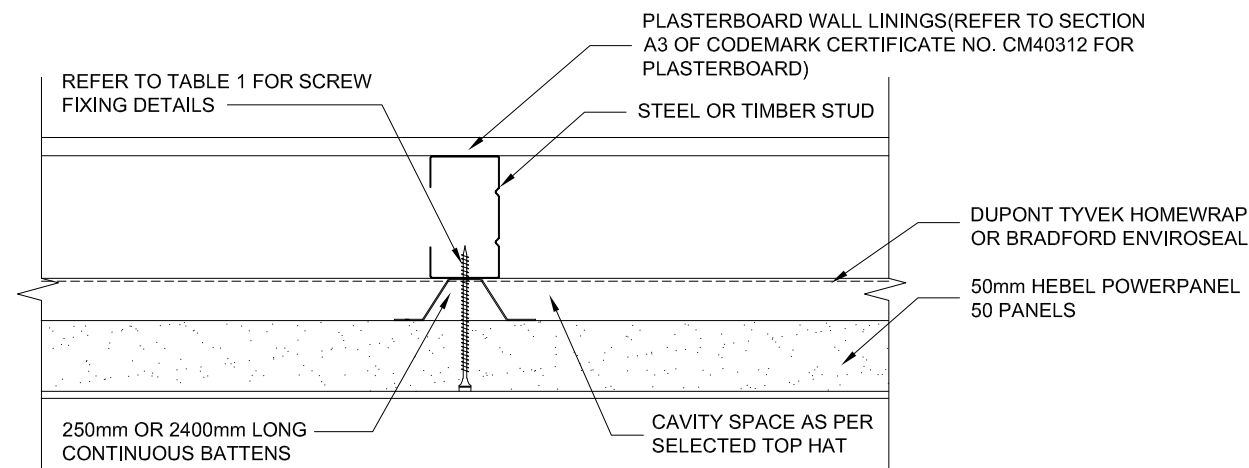
**PLAN FIXING DETAIL**  
SCALE 1:20

**LAYOUT ELEVATION**  
SCALE 1:20

- NOTE:**
- NON COMPRESSIBLE NON-COMBUSTIBLE PACKERS MAY BE USED BETWEEN THE BATTENS AND STUDS TO ALIGN THE HEBEL PANELS
  - PANELS NOT TESTED FOR IMPACT LOADING FROM WINDBORNE DEBRIS IN REGIONS C & D AS PER AS1170.2. BUILDING DESIGNER SHOULD ADDITIONALLY ALLOW FOR INTERNAL PRESSURES RESULTING FROM DOMINANT OPENINGS.

Scale	AS SHOWN	HEBEL NORTH RYDE - NSW - Australia	Drawn	E.T	Date	22.03.21	
			Checked	N.G	Date	22.03.21	
Tolerances	AS SHOWN	This document is confidential. This document and its copyright are the property of or licensed to CSR Limited, and must not be used, disclosed or reproduced in any form whatsoever except as authorised in writing. This document must be returned with quotation and/or on completion of the project as applicable.	Approved	N.G	Date	22.03.21	
			Project:	50mm HEBEL POWERPANEL HORIZONTAL FACADE			
	DRAWN TO AS 1100	DIMENSIONS IN MILLIMETRES DO NOT SCALE	Drawing Number	PP50-H-F-001			
			Sheet	1	of	Revision	E
			50mm FACADE GENERAL ARRANGEMENT				

# 50mm HIGH RISE FACADE DETAILS - COMPONENTS AND FIXING DETAILS



**TYPICAL FIXING DETAIL - PLAN VIEW**

SCALE: 1:5

**TABLE 1**

SYSTEM COMPONENT	COMPONENT DETAILS	NOTES
50mm HEBEL POWERPANEL	2000mm x 600mm x 50mm 2400mm x 600mm x 50mm 2550mm x 600mm x 50mm 2700mm x 600mm x 50mm 2850mm x 600mm x 50mm 3000mm x 600mm x 50mm	
STEEL FRAME	92 mm STEEL FRAME	STEEL STUD TO BE DESIGNED AND CONSTRUCTED IN ACCORDANCE WITH AS 3623 AND AS/N25 4600
TIMBER FRAME	90 mm TIMBER FRAME	TIMBER STUD TO BE DESIGNED AND CONSTRUCTED IN ACCORDANCE WITH AS 1684
BATTENS/ BACK BLOCKS	20mm STEEL CAVITY BATTEN	0.42 THICK GALVANISED STEEL, 35x20x(250mm OR CONTINUOUS) OR 35x40x(250mm OR CONTINUOUS)
	40mm STEEL CAVITY BATTEN	
	RONDO 310	0.55 THICK GALVANISED STEEL, F <sub>y</sub> =270MPa. COATING CLASS Z275.
	24mm PERFORATED STEEL TOP HAT	0.42 THICK GALVANISED STEEL, F <sub>y</sub> =550MPa. COATING CLASS AZ150.
	35mm PERFORATED STEEL TOP HAT	0.55 THICK GALVANISED STEEL, F <sub>y</sub> =270MPa. COATING CLASS Z275.
TEMPORARY FIXINGS TO FIX STEEL BATTENS TO STEEL FRAME	10-16x16mm HEX HEAD TEK SCREW	CLASS 3
TEMPORARY FIXINGS TO FIX STEEL BATTENS TO TIMBER FRAME	12-11x35mm HEX HEAD TYPE 17 SCREW	CLASS 3
SCREWS TO FIX 50mm HEBEL POWERPANEL THROUGH BATTEN INTO STEEL FRAME	14-10x100mm MP BUGLE HEAD TYPE 17 SCREW	CLASS 3
SCREWS TO FIX 50mm HEBEL POWERPANEL THROUGH BATTEN INTO TIMBER FRAME	14-10x150mm HEX HEAD TYPE 17 SCREW	CLASS 3

**TABLE 2**

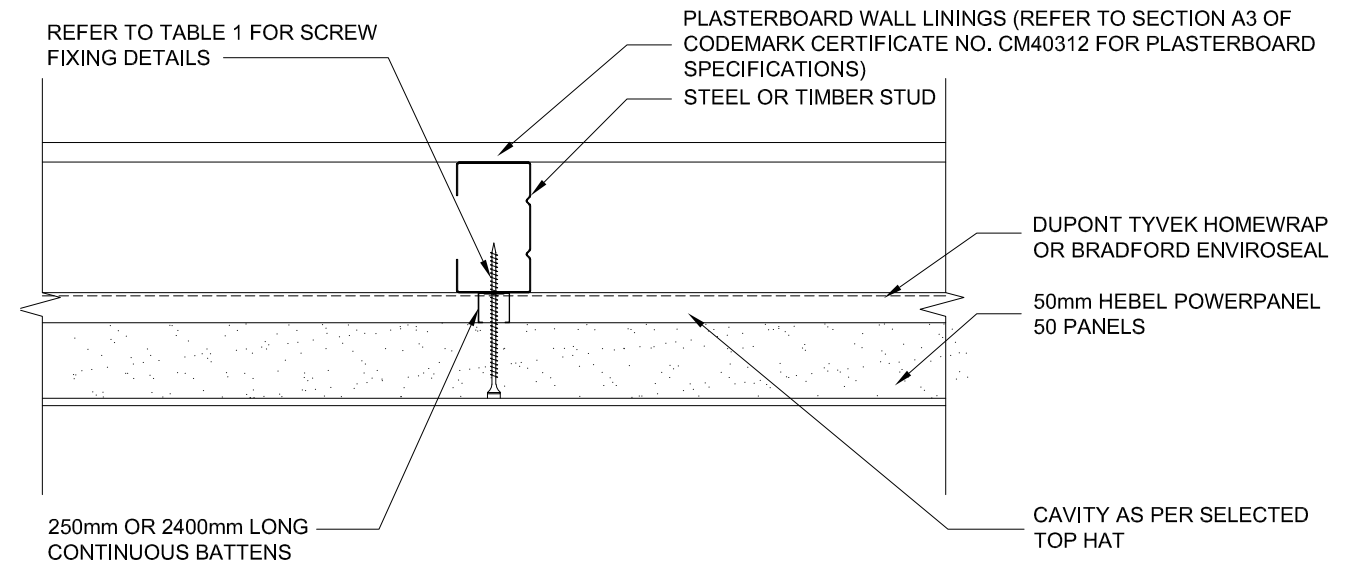
ULS WIND PRESSURE (KPA)	STUD SPACING (MM)	NUMBER OF SCREWS PER 600mm WIDE PANEL PER STUD
1.95	600	2
2.9	600	3
4.27	450	3

**NOTE**

- 1) STUD FRAME MUST BE DESIGNED TO LIMIT THE LATERAL DEFLECTION TO H/360 UNDER SERVICEABILITY WIND PRESSURE ACCORDANCE WITH AS1170.2.
- 2) WHERE 3 SCREWS ARE REQUIRED FOR 600mm WIDE PANEL PER STUD, A CONTINUOUS BATTEN IS TO BE USED.

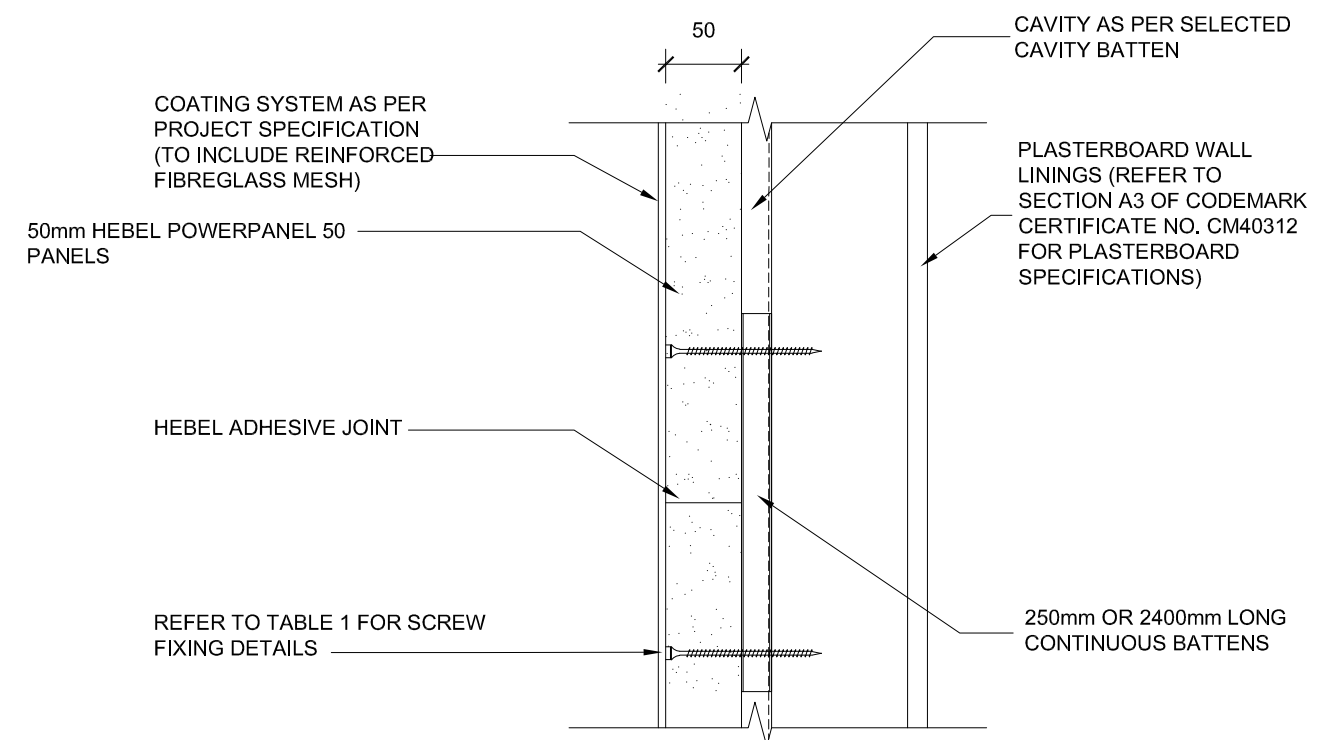
**NOTE:**

1. NON COMPRESSIBLE NON-COMBUSTIBLE PACKERS MAY BE USED BETWEEN THE BATTENS AND STUDS TO ALIGN THE HEBEL PANELS
2. PANELS NOT TESTED FOR IMPACT LOADING FROM WINDBORNE DEBRIS IN REGIONS C & D AS PER AS1170.2. BUILDING DESIGNER SHOULD ADDITIONALLY ALLOW FOR INTERNAL PRESSURES RESULTING FROM DOMINANT OPENINGS.



**TYPICAL FIXING DETAIL (FOR 20mm OR 40mm CAVITY BATTENS) - PLAN VIEW**

SCALE: 1:5

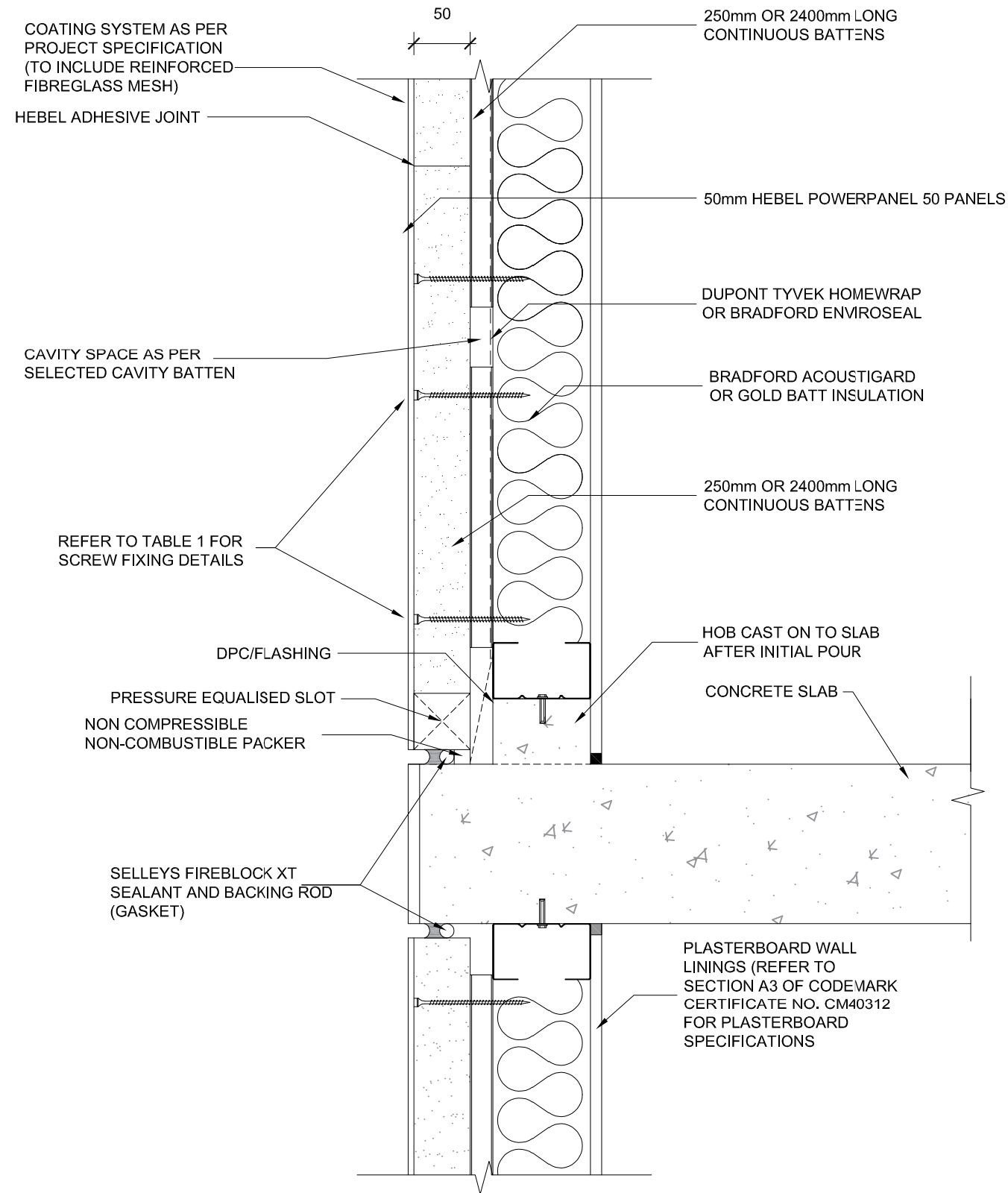


**TYPICAL FIXING DETAIL - SIDE VIEW**

SCALE: 1:5

Scale	AS SHOWN	HEBEL NORTH RYDE - NSW - Australia	Drawn	E.T	Date	22.03.21	
			Checked	N.G	Date	22.03.21	
Tolerances	AS SHOWN	<small>This document is confidential. This document and its copyright are the property of or licensed to CSR Limited, and must not be used, disclosed or reproduced in any form whatsoever except as authorised in writing. This document must be returned with quotation and/or on completion of the project as applicable.</small>	Approved	N.G	Date	22.03.21	
			Project:	50mm HEBEL POWERPANEL HORIZONTAL FACADE			
	DRAWN TO AS 1100	DIMENSIONS IN MILLIMETRES DO NOT SCALE	Drawing Number	PP50-H-F-002			
			Sheet	2	of	Revision	E

# 50mm HIGH RISE FACADE - VISIBLE SLAB EDGE DETAIL



## SLAB EDGE (EXPOSED) DETAIL - HEAD AND BASE DETAILS (HOB)

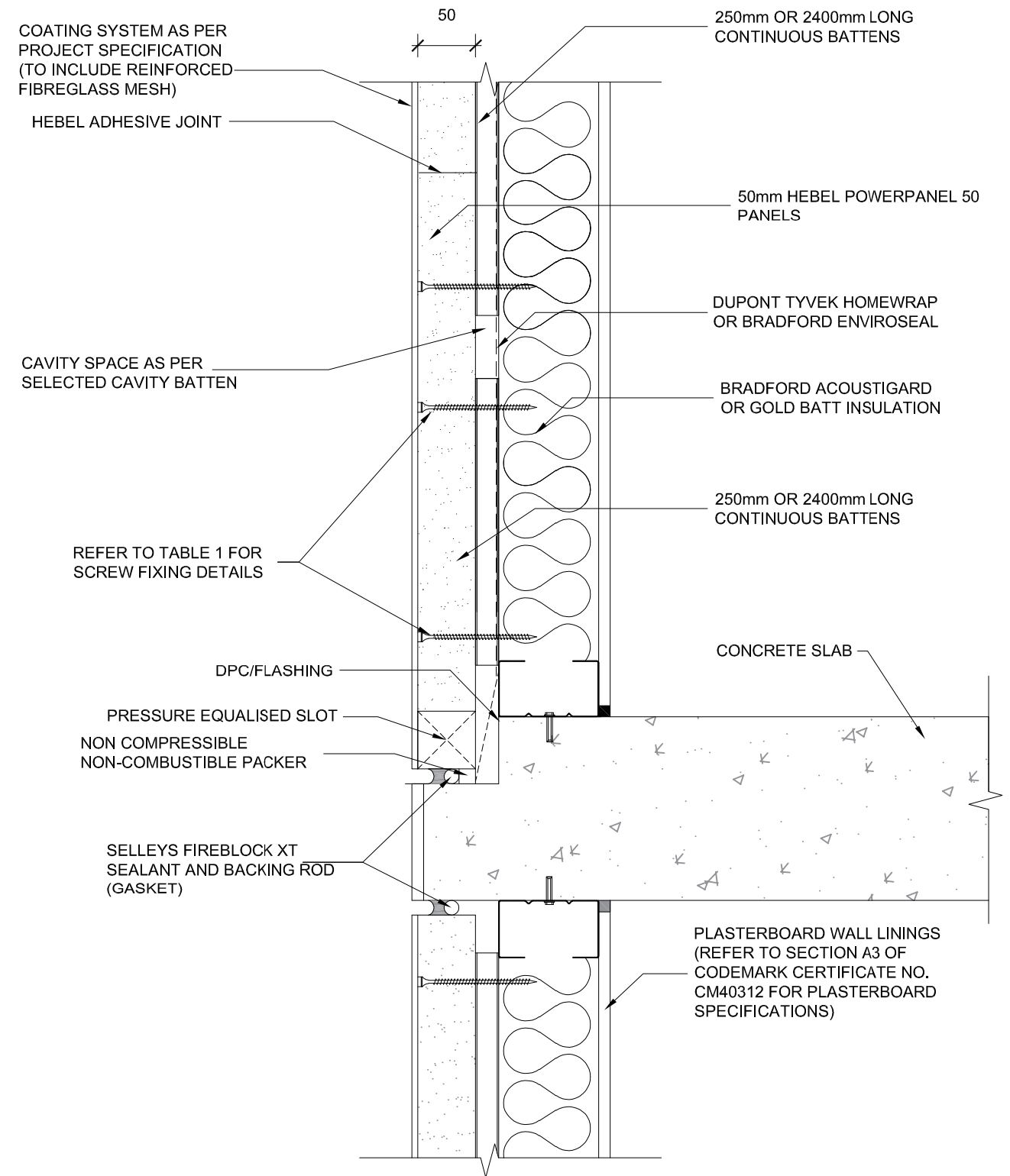
SCALE: 1:5

**NOTE**

- 1) SELLEYS FIREBLOCK XT SHALL BE APPLIED WITH MINIMUM SEALANT DEPTH OF 16mm FOR WIDTHS UP TO 20mm.

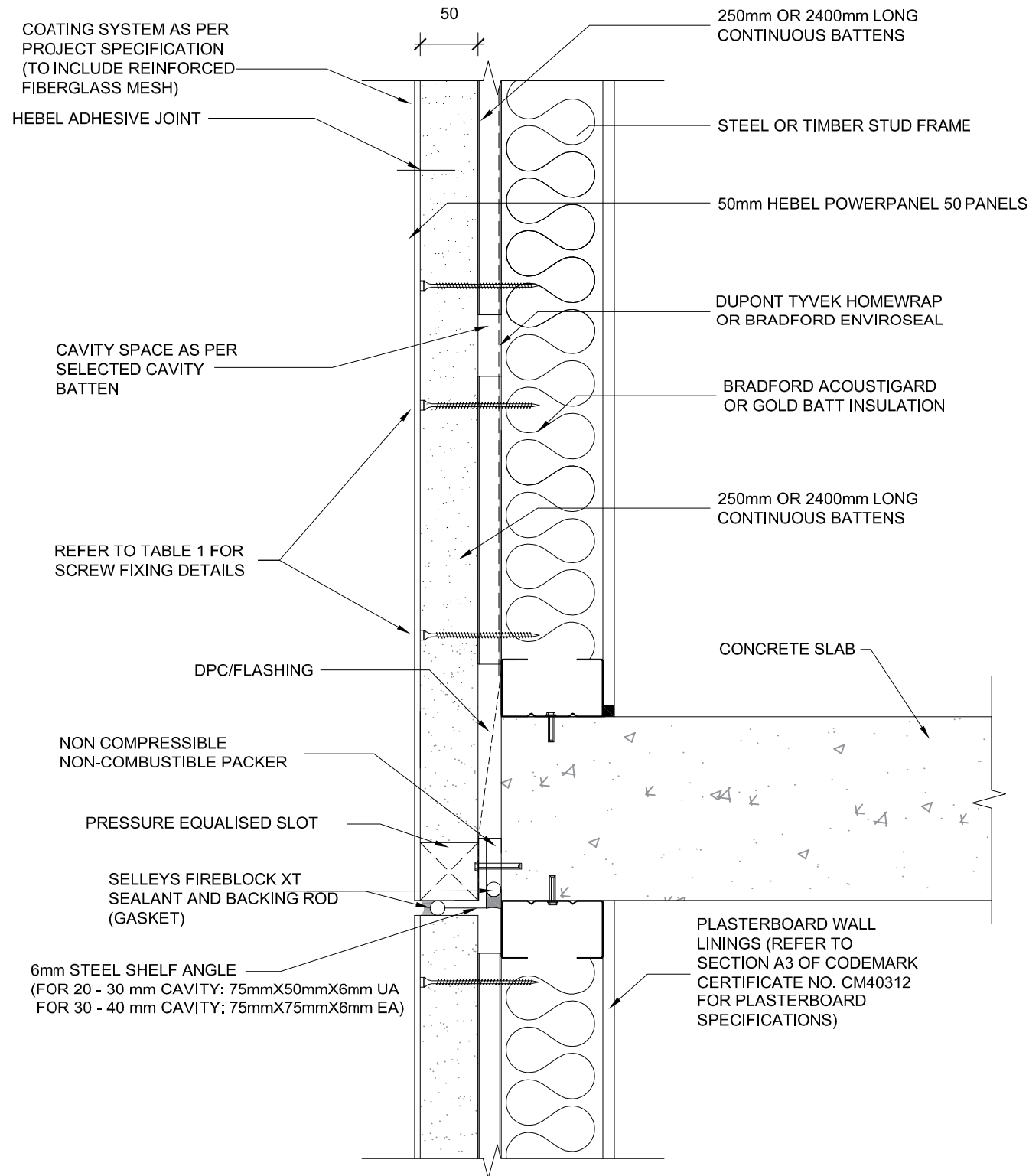
## SLAB EDGE (EXPOSED) DETAIL - HEAD AND BASE DETAILS

SCALE: 1:5



Scale	AS SHOWN	 HEBEL NORTH RYDE - NSW - Australia	Drawn	E.T.	Date	22.03.21	
			Checked	N.G.	Date	22.03.21	
Tolerances	AS SHOWN	This document is confidential. This document and its copyright are the property of or licensed to CSR Limited, and must not be used, disclosed or reproduced in any form whatsoever except as authorised in writing. This document must be returned with quotation and/or on completion of the project as applicable.	Approved	N.G.	Date	22.03.21	
			Project:	50mm HEBEL POWERPANEL HORIZONTAL FACADE			
	DRAWN TO AS 1100	DIMENSIONS IN MILLIMETRES DO NOT SCALE	Drawing Number	PP50-H-F-003			
			Sheet	3	of	Revision	E
			50mm FACADE VISIBLE SLAB EDGE DETAIL				

# 50mm HIGH RISE FACADE - HIDDEN SLAB EDGE DETAIL


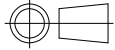


**NOTE**

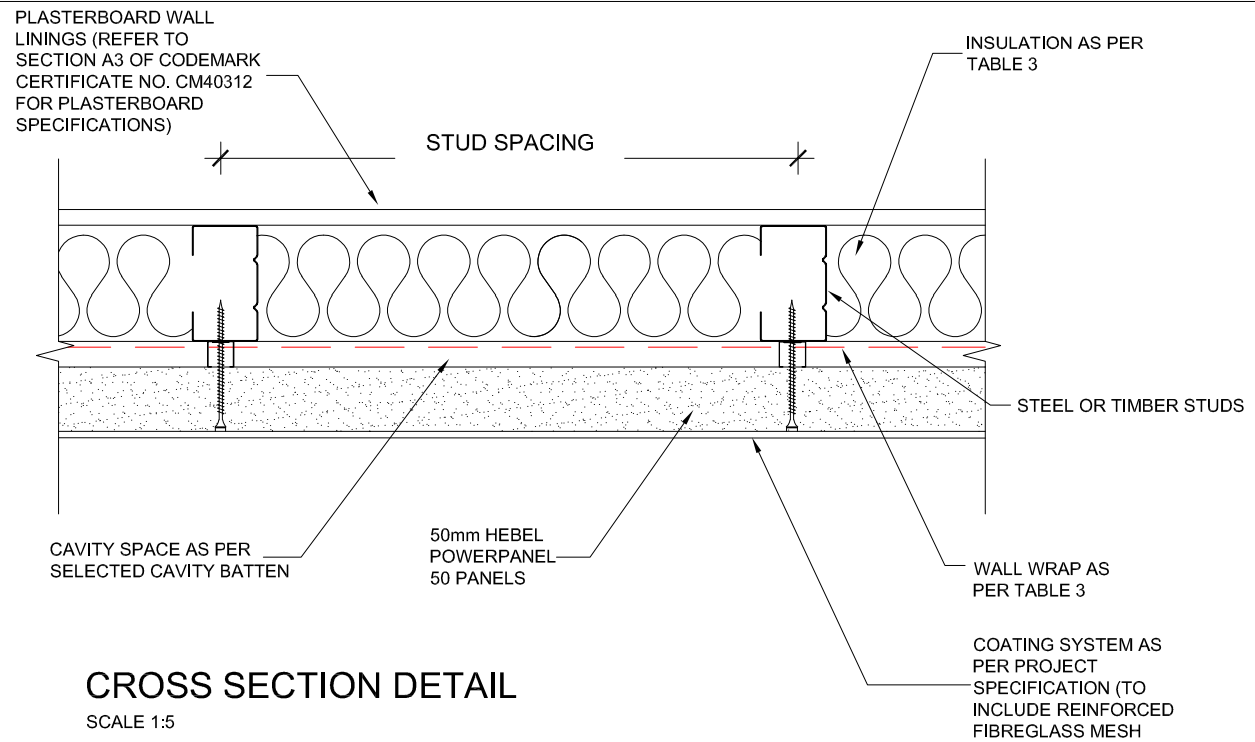
- 1) SELLEYS FIREBLOCK XT MAY ALTERNATIVELY BE APPLIED BEHIND THE TOP OF THE STEEL ANGLE PROVIDED ALL BOLT HOLES ARE ALSO SEALED WITH FIREBLOCK XT.
- 2) SELLEYS FIREBLOCK XT SHALL BE APPLIED WITH MINIMUM SEALANT DEPTH OF 16mm FOR WIDTHS UP TO 20mm.
- 3) CARE MUST BE TAKEN BY THE FRAMING CONTRACTOR TO ALIGN WALLS FROM ADJACENT LEVELS.
- 4) ALL SHELF ANGLE ANCHORS MUST CONTAIN A MINIMUM EDGE DISTANCE OF 70mm TO UNDERSIDE OF SLAB.
- 5) SHELF ANGLE ANCHORS MAY BE:
  - M12 HILTI HVU GALVANISED CHEMICAL ANCHORS AT 900mm MAX CENTRES (110mm EMBEDMENT DEPTH)
  - M10 HILTI HVU GALVANISED CHEMICAL ANCHORS AT 450mm MAX CENTRES (90mm EMBEDMENT DEPTH)
  - HILTI HSA-F M10 GALVANISED MECHANICAL ANCHORS AT 600mm MAX CENTRES (50mm EMBEDMENT INTO UNCRACKED CONCRETE, 150mm MIN. THICKNESS.
- 6) MIN GRADE OF STEEL SHELF ANGLE IS G250 (GALVANISED)

## SLAB EDGE (HIDDEN) DETAIL - HEAD AND BASE DETAILS

SCALE: 1:5

Scale	AS SHOWN	 HEBEL NORTH RYDE - NSW - Australia	Drawn E.T.	Date 22.03.21
Tolerances	AS SHOWN		Checked N.G.	Date 22.03.21
	DRAWN TO AS 1100	This document is confidential. This document and its copyright are the property of or licensed to CSR Limited, and must not be used, disclosed or reproduced in any form whatsoever except as authorised in writing. This document must be returned with quotation and/or on completion of the project as applicable.	Approved N.G.	Date 22.03.21
	 DIMENSIONS IN MILLIMETRES DO NOT SCALE		Project: 50mm HEBEL POWERPANEL HORIZONTAL FACADE	
			Drawing Number: PP50-H-F-004	
			Sheet 4 of	Revision E

# 50mm HIGH RISE FACADE DETAILS - SYSTEM PERFORMANCE



**CROSS SECTION DETAIL**  
SCALE 1:5

**TABLE 3**

DESCRIPTION					TOTAL R-VALUE m <sup>2</sup> .K/W		ACOUSTIC	
INTERNAL LINING	STUD FRAME	INSULATION BATTS	WALL WRAP	BATTEN CAVITY	SUMMER	WINTER	Rw	Rw + Ctr
1x13mm GYPROCK STANDARD PLASTERBOARD	90mm OR 92mm STEEL STUD FRAME	90mm BRADFORD GOLD WALL BATTS R2.5	BRADFORD ENVIROSEAL CW <b>OR</b> BRADFORD ENVIROSEAL RW <b>OR</b> DUPONT TYVEK HOMEWRAP	20mm MIN.	2.48	2.6	49	35
		90mm BRADFORD GOLD WALL BATTS R2.7			2.59	2.7	49	35
		90mm BRADFORD GOLD WALL BATTS R2.7	AMETALIN FIRESARK BREATHER <b>OR</b> BRADFORD THERMOSEAL FIRESPEC		3.04	3.15	49	35
90mm BRADFORD GOLD WALL BATTS R2.5		BRADFORD ENVIROSEAL CW <b>OR</b> BRADFORD ENVIROSEAL RW <b>OR</b> DUPONT TYVEK HOMEWRAP	2.35		2.45	50	37	
90mm BRADFORD GOLD WALL BATTS R2.7			2.45		2.54	50	37	
90mm BRADFORD GOLD WALL BATTS R2.7		AMETALIN FIRESARK BREATHER <b>OR</b> BRADFORD THERMOSEAL FIRESPEC	2.88		2.97	50	37	
90mm BRADFORD GOLD WALL BATTS R2.5		BRADFORD ENVIROSEAL CW <b>OR</b> BRADFORD ENVIROSEAL RW <b>OR</b> DUPONT TYVEK HOMEWRAP	2.46		2.57	52	43	
90mm BRADFORD GOLD WALL BATTS R2.7			2.57		2.67	52	43	
90mm BRADFORD GOLD WALL BATTS R2.7		AMETALIN FIRESARK BREATHER <b>OR</b> BRADFORD THERMOSEAL FIRESPEC	2.99		3.09	52	43	
2x13mm GYPROCK FYRCHEK	90mm BRADFORD GOLD WALL BATTS R2.5	BRADFORD ENVIROSEAL CW <b>OR</b> BRADFORD ENVIROSEAL RW <b>OR</b> DUPONT TYVEK HOMEWRAP	2.52	2.64	53	44		
	90mm BRADFORD GOLD WALL BATTS R2.7		2.63	2.74	53	44		
2x16mm GYPROCK FYRCHEK	90mm BRADFORD GOLD WALL BATTS R2.7	AMETALIN FIRESARK BREATHER <b>OR</b> BRADFORD THERMOSEAL FIRESPEC	3.05	3.15	53	44		

**TABLE 4**

DESCRIPTION		FRL
INTERNAL LINING	STUD FRAME	
1x13mm GYPROCK STANDARD PLASTERBOARD	TIMBER OR STEEL FRAME	-/60/60 OR 60/60/60 (OUTSIDE ONLY)
1x16mm FYRCHEK	TIMBER FRAME	-/60/60 OR 60/60/60 (INSIDE AND OUTSIDE)
1x13mm OR 1x16mm FYRCHEK	STEEL FRAME	-/60/60 OR 60/60/60 (INSIDE AND OUTSIDE)
1x13mm GYPROCK STANDARD PLASTERBOARD	TIMBER OR STEEL FRAME	-/90/90 OR 90/90/90 (OUTSIDE ONLY)
2x13mm OR 1x16mm FYRCHEK	TIMBER OR STEEL FRAME	-/90/90 OR 90/90/90 (INSIDE AND OUTSIDE)
1x13mm GYPROCK STANDARD PLASTERBOARD	TIMBER OR STEEL FRAME	-/120/120 OR 120/120/120 (OUTSIDE ONLY)
2x13mm OR 2x16mm FYRCHEK	TIMBER OR STEEL FRAME	-/120/120 OR 120/120/120 (INSIDE AND OUTSIDE)

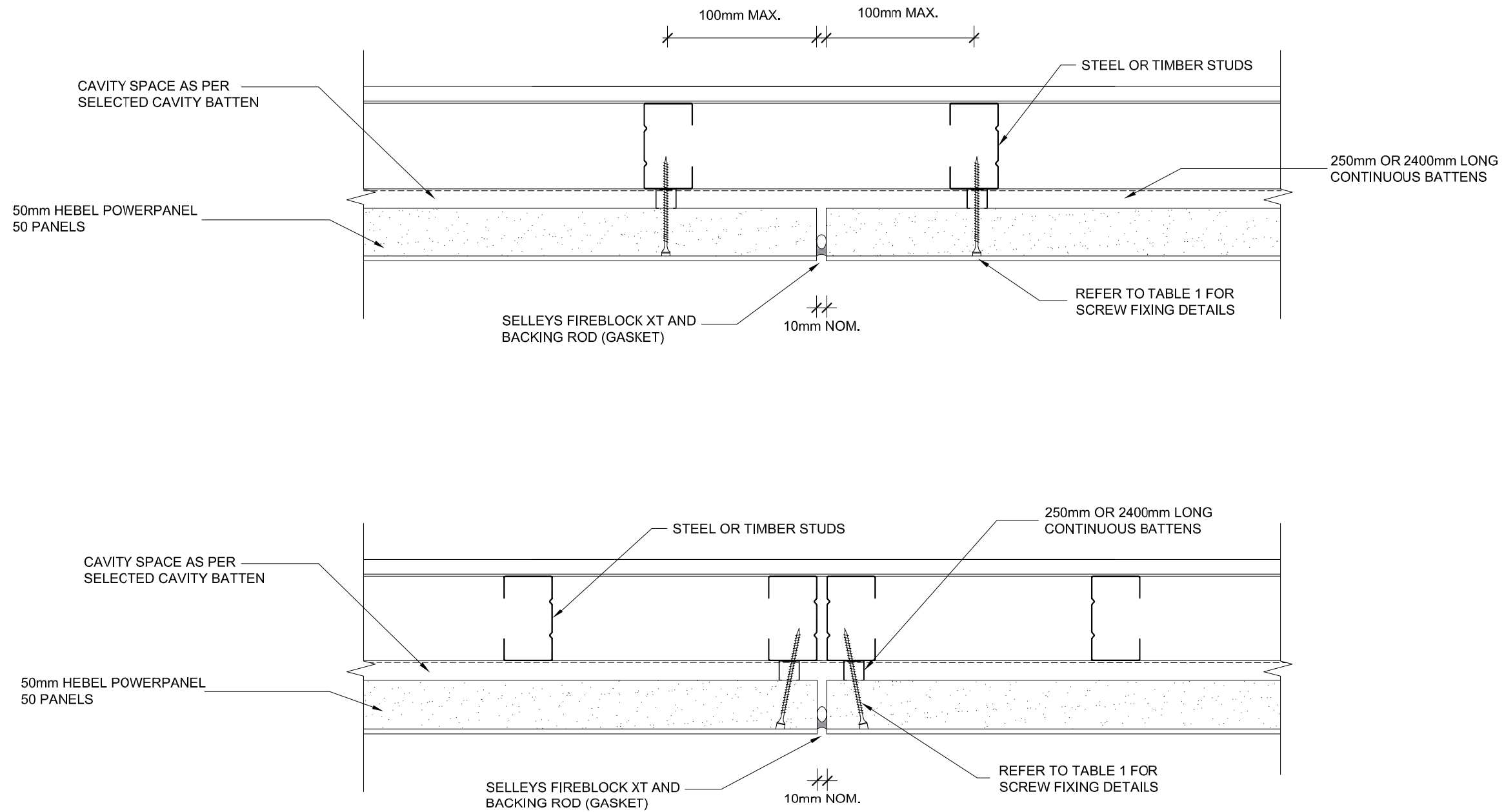
**NOTE**

- 1) THE MAXIMUM STUD SPACING IS 450mm CENTRES FOR THE SYSTEM OPTIONS THAT CONTAIN GYPROCK FYRCHEK AS THE INTERNAL LINING.
- 2) DULUX ACRATEX RENDER AND COATING SYSTEM HAS BEEN INCLUDED IN TOTAL R-VALUE OF THE WALL SYSTEMS PROVIDED IN TABLE 3.
- 3) BRADFORD GOLD WALL BATTS HAS BEEN TESTED TO AS1530.1 AND IS DEEMED NON-COMBUSTIBLE.
- 4) BRADFORD ENVIROSEAL RW, BRADFORD ENVIROSEAL CW, DUPONT TYVEK HOMEWRAP AND AMETALIN FIRESARK BREATHER ARE VAPOUR PERMEABLE AND CAN BE USED IN CLIMATE ZONES 2 TO 8.
- 5) BRADFORD THERMOSEAL FIRESPEC IS A VAPOUR BARRIER AND CAN BE USED IN CLIMATE ZONES 1 TO 5 (AS PER PROJECT SPECIFICATIONS).
- 6) WALL WRAPS SPECIFIED IN TABLE 3 CONTAIN A FLAMMABILITY INDEX < 5 AND ARE LESS THAN 1mm THICK. THEREFORE THESE WALL WRAPS ARE DEEMED NON-COMBUSTIBLE IN ACCORDANCE WITH NCC 2019 Amdt 1.
- 7) WALL WRAPS ARE MANDATORY AS PART OF THE PRESSURE EQUALISATION SYSTEM TO ACHIEVE WEATHERTIGHTNESS.
- 8) THE TAPE(S) USED TO AFFIX WALL WRAPS TO THE STEEL STUD FRAME ARE TO BE COMPATIBLE WITH THE WALL WRAP TYPE AND AS RECOMMENDED BY THE WALL WRAP MANUFACTURER AND ARE TO SATISFY THE SAME PROPERTIES AS OUTLINED ABOVE.
- 9) THE THERMAL VALUES ARE BASED ON STEEL FRAMED STRUCTURES. THE OVERALL SURFACE FOR TIMBER FRAMED STRUCTURES IS HIGHER THAN EQUIVALENT STEEL FRAMED STRUCTURES.
- 10) THE ACOUSTIC VALUES ARE BASED ON STEEL FRAMED STRUCTURES.
- 11) FRL OF THE WALL SYSTEMS ARE BASED ON IGNS-8349 I02 R04 ISSUED 17.03.2021

Scale	AS SHOWN	HEBEL NORTH RYDE - NSW - Australia	Drawn E.T	Date 22.03.21
Tolerances	AS SHOWN		Checked N.G	Date 22.03.21
DRAWN TO AS 1100  DIMENSIONS IN MILLIMETRES DO NOT SCALE	This document is confidential. This document and its copyright are the property of or licensed to CSR Limited, and must not be used, disclosed or reproduced in any form whatsoever except as authorised in writing. This document must be returned with quotation and/or on completion of the project as applicable.		Approved N.G	Date 22.03.21
			Project: 50mm HEBEL POWERPANEL HORIZONTAL FACADE	
			Drawing Number PP50-H-F-005	
		Sheet 5 of	Revision E	

50mm FACADE PERFORMANCE VALUES

# 50mm HIGH RISE FACADE DETAILS - VERTICAL CONTROL JOINTS



## TYPICAL VERTICAL CONTROL JOINTS

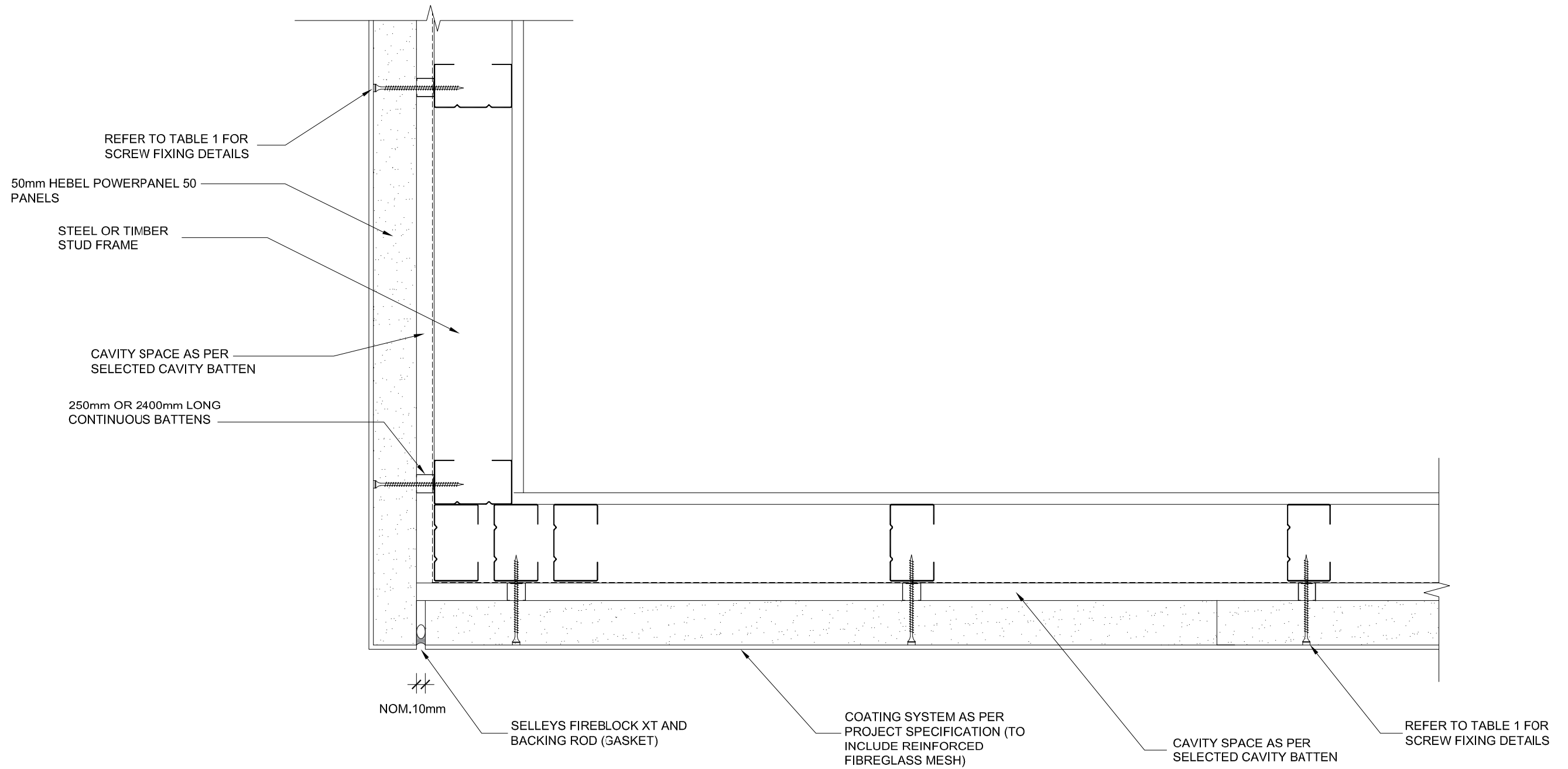
SCALE: 1:5

**NOTE:**

- 1) MAXIMUM SPACING OF CONTROL JOINTS TO BE LIMITED TO 6m
- 2) A CONTROL JOINT IN THE WALL MUST OCCUR AT CONTROL JOINT LOCATIONS IN THE PRIMARY SUPPORT STRUCTURE
- 3) FOR WINDOW/ DOOR OPENINGS LESS THAN OR EQUAL TO 2400mm, A CONTROL JOINT IS TO BE PROVIDED TO ONE SIDE OF THE WINDOW/ DOOR OPENING.
- 4) FOR WINDOW/ DOOR OPENINGS GREATER THAN 2400mm, A CONTROL JOINT IS TO BE PROVIDED TO BOTH SIDES OF THE WINDOW/ DOOR OPENING.


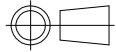
Scale	AS SHOWN	HEBEL NORTH RYDE - NSW - Australia	Drawn E.T	Date 22.03.21
Tolerances	AS SHOWN		Checked N.G	Date 22.03.21
	DRAWN TO AS 1100	This document is confidential. This document and its copyright are the property of or licensed to CSR Limited, and must not be used, disclosed or reproduced in any form whatsoever except as authorised in writing. This document must be returned with quotation and/or on completion of the project as applicable.	Approved N.G	Date 22.03.21
	DIMENSIONS IN MILLIMETRES DO NOT SCALE		Project: 50mm HEBEL POWERPANEL HORIZONTAL FACADE	
			Drawing Number: PP50-H-F-006	
			Sheet 6 of	Revision E

# 50mm HIGH RISE FACADE DETAILS - EXTERNAL CORNER JOINT DETAIL

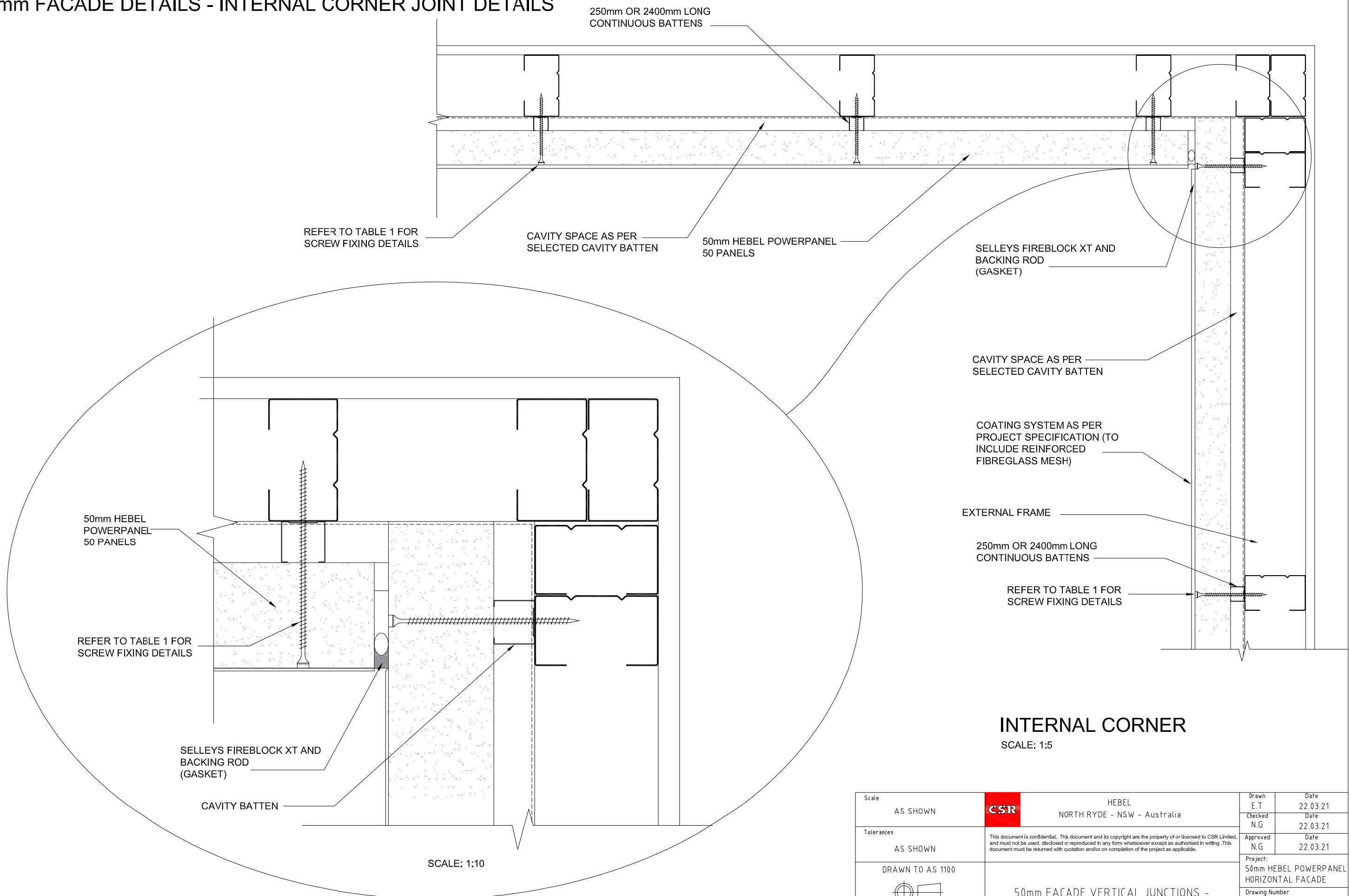


## EXTERNAL CORNER


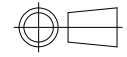
SCALE: 1:5

Scale	AS SHOWN	 HEBEL NORTH RYDE - NSW - Australia	Drawn E.T.	Date 22.03.21
Tolerances	AS SHOWN		Checked N.G.	Date 22.03.21
	DRAWN TO AS 1100	This document is confidential. This document and its copyright are the property of or licensed to CSR Limited, and must not be used, disclosed or reproduced in any form whatsoever except as authorised in writing. This document must be returned with quotation and/or on completion of the project as applicable.	Approved N.G.	Date 22.03.21
	 DIMENSIONS IN MILLIMETRES DO NOT SCALE		Project: 50mm HEBEL POWERPANEL HORIZONTAL FACADE	
			Drawing Number PP50-H-F-007	
			Sheet 7	of Revision E

# 50mm FACADE DETAILS - INTERNAL CORNER JOINT DETAILS

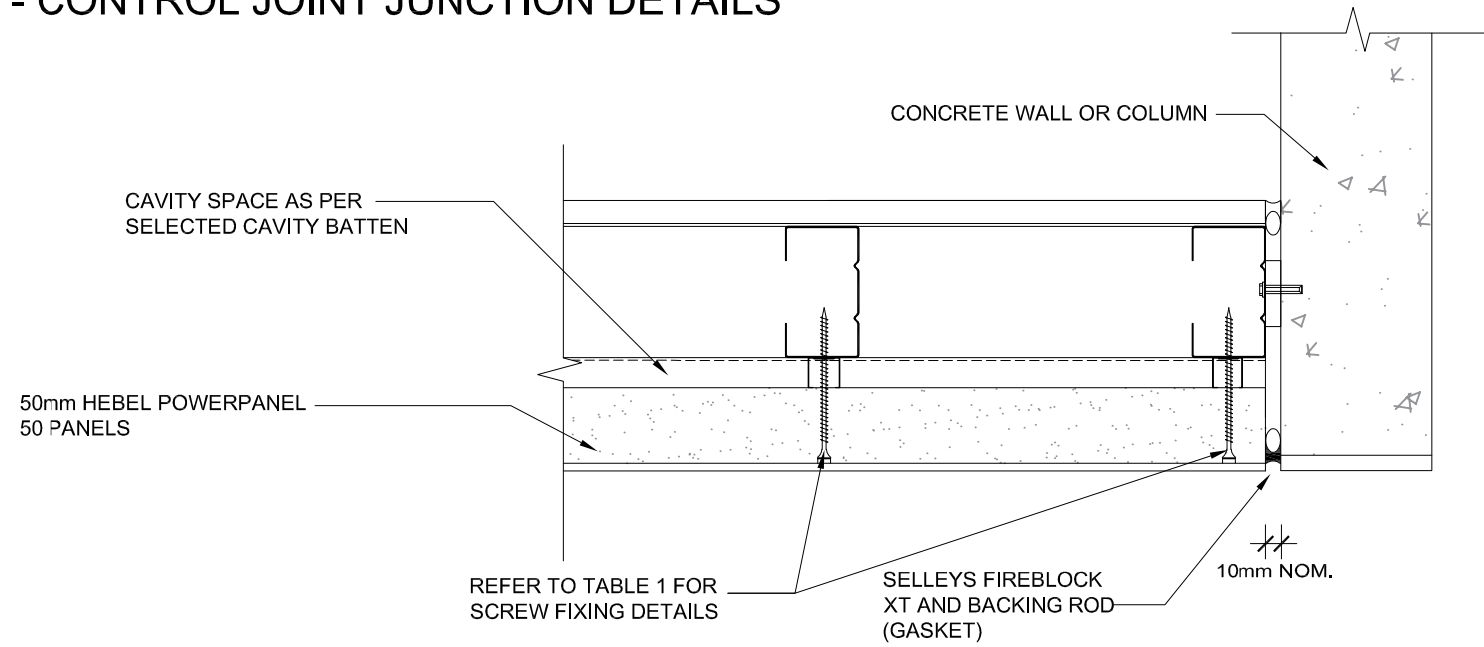


## INTERNAL CORNER SCALE: 1:5

Scale	AS SHOWN	 HEBEL NORTH RYDE - NSW - Australia	Drawn E.T	Date 22.03.21
Tolerances	AS SHOWN		Checked N.G	Date 22.03.21
	DRAWN TO AS 1100	This document is confidential. This document and its copyright are the property of or licensed to CSR Limited, and must not be used, disclosed or reproduced in any form whatsoever except as authorised in writing. This document must be returned with quotation and/or on completion of the project as applicable.	Approved N.G	Date 22.03.21
	 DIMENSIONS IN MILLIMETRES DO NOT SCALE		Project: 50mm HEBEL POWERPANEL HORIZONTAL FACADE	
			Drawing Number PP50-H-F-008	
			Sheet 8	of Revision E

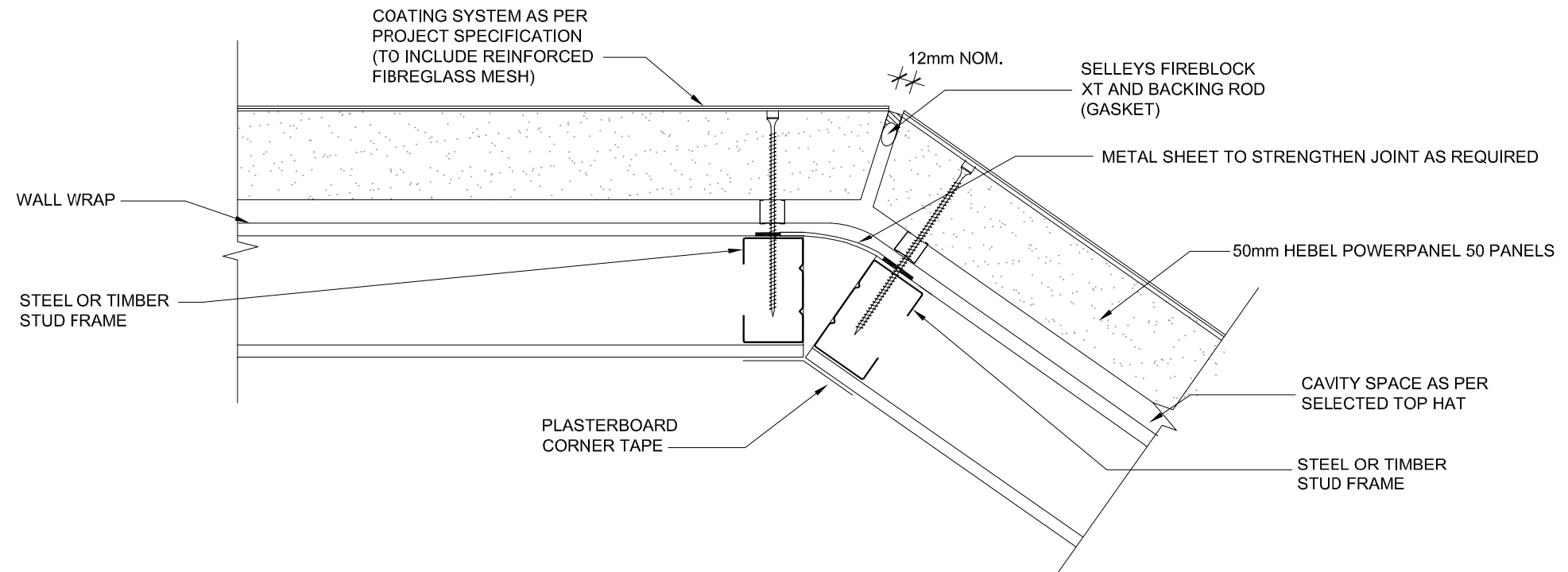


# 50mm HIGH RISE FACADE DETAILS - CONTROL JOINT JUNCTION DETAILS




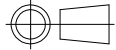
## JUNCTION TO CONCRETE COLUMN/WALL DETAIL

SCALE: 1:5



## ANGLE CORNER DETAIL

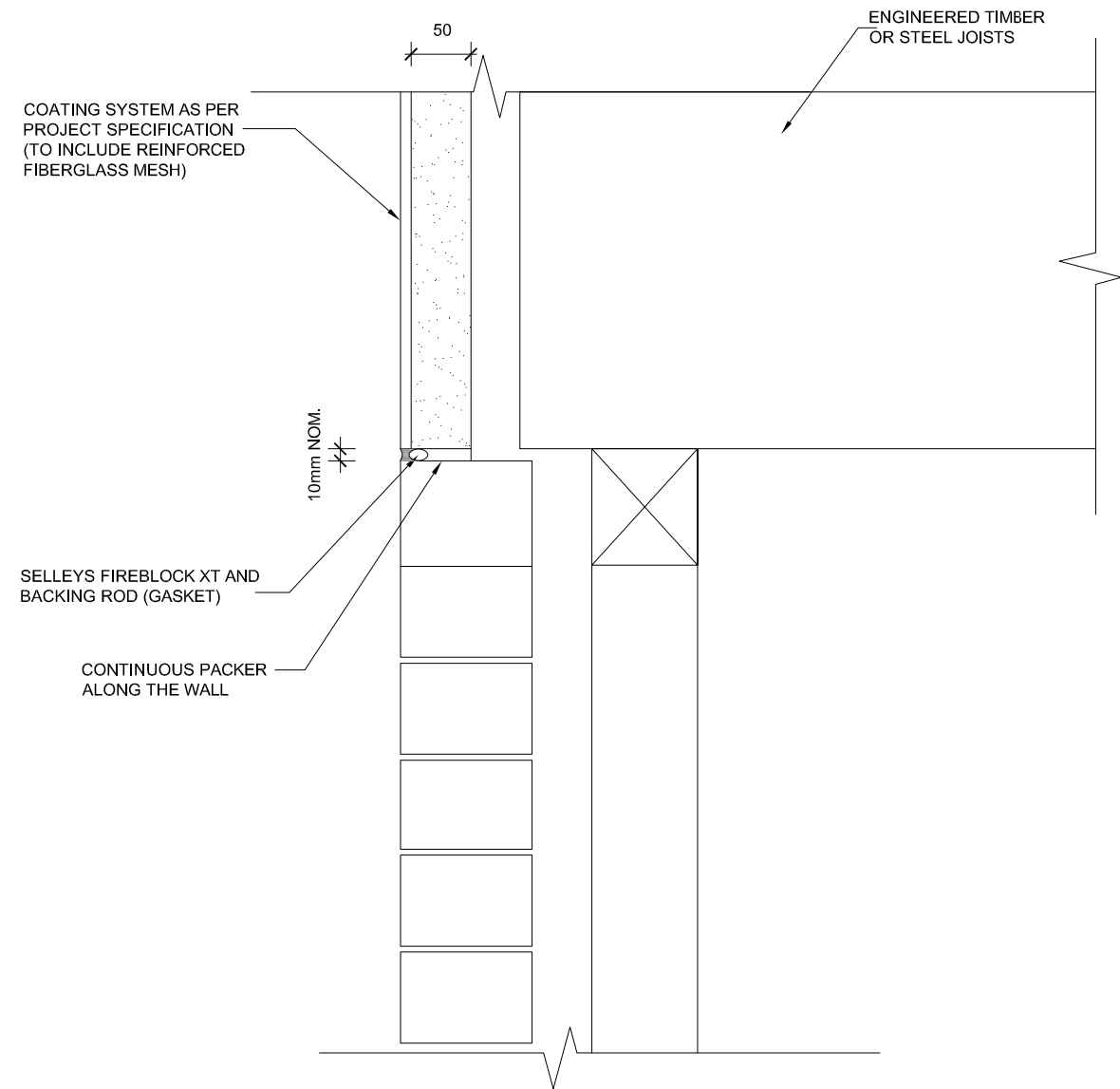
SCALE: 1:5

Scale	AS SHOWN	 HEBEL NORTH RYDE - NSW - Australia	Drawn E.T	Date 22.03.21
Tolerances	AS SHOWN		Checked N.G	Date 22.03.21
	DRAWN TO AS 1100	This document is confidential. This document and its copyright are the property of or licensed to CSR Limited, and must not be used, disclosed or reproduced in any form whatsoever except as authorised in writing. This document must be returned with quotation and/or on completion of the project as applicable.	Approved N.G	Date 22.03.21
	 DIMENSIONS IN MILLIMETRES DO NOT SCALE		Project: 50mm HEBEL POWERPANEL HORIZONTAL FACADE	
			Drawing Number PP50-H-F-009	
			Sheet 9	of Revision E

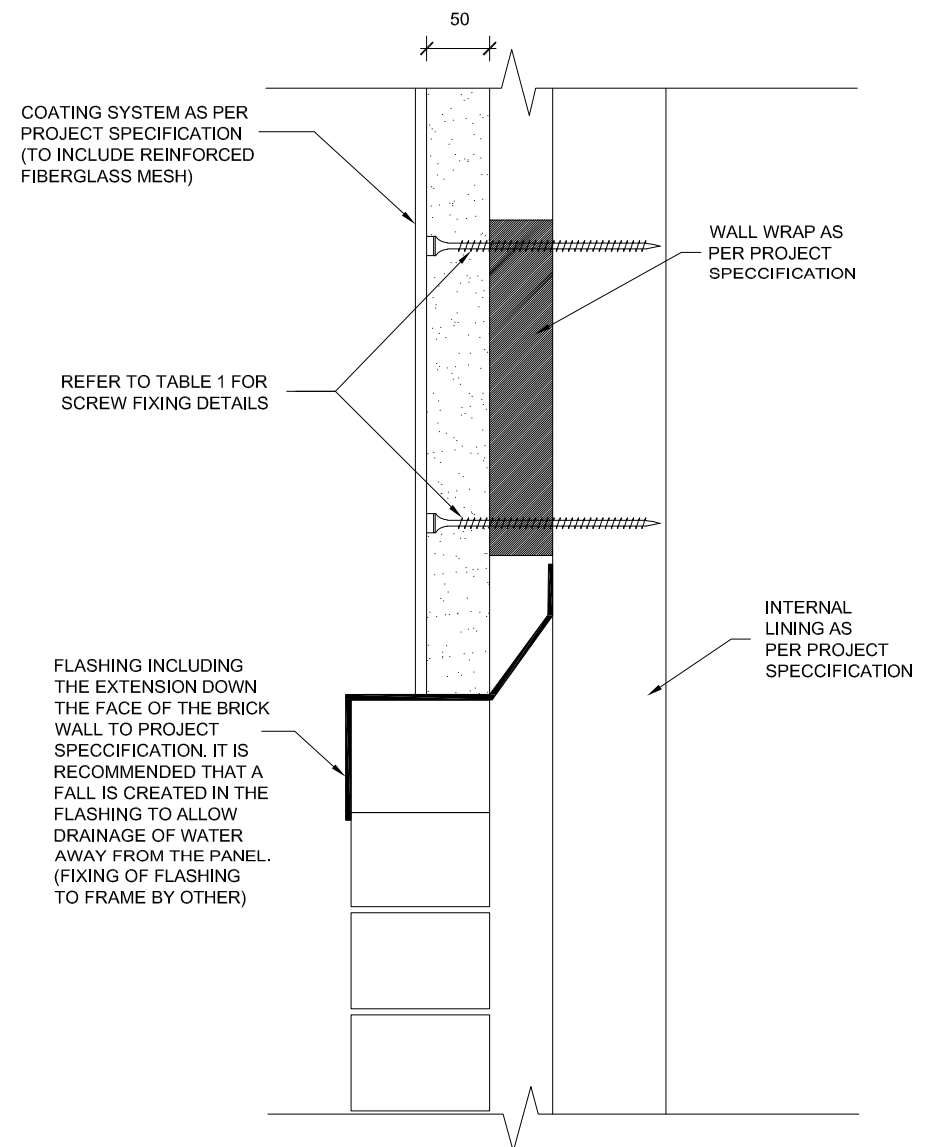
50mm FACADE VERTICAL JUNCTIONS


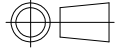
# 50mm HIGH RISE FACADE DETAIL - HORIZONTAL JOINT DETAIL

## HORIZONTAL CONTROL JOINT - BRICK VENEER TO HEBEL POWERPANEL<sup>50</sup> - OPTION 1

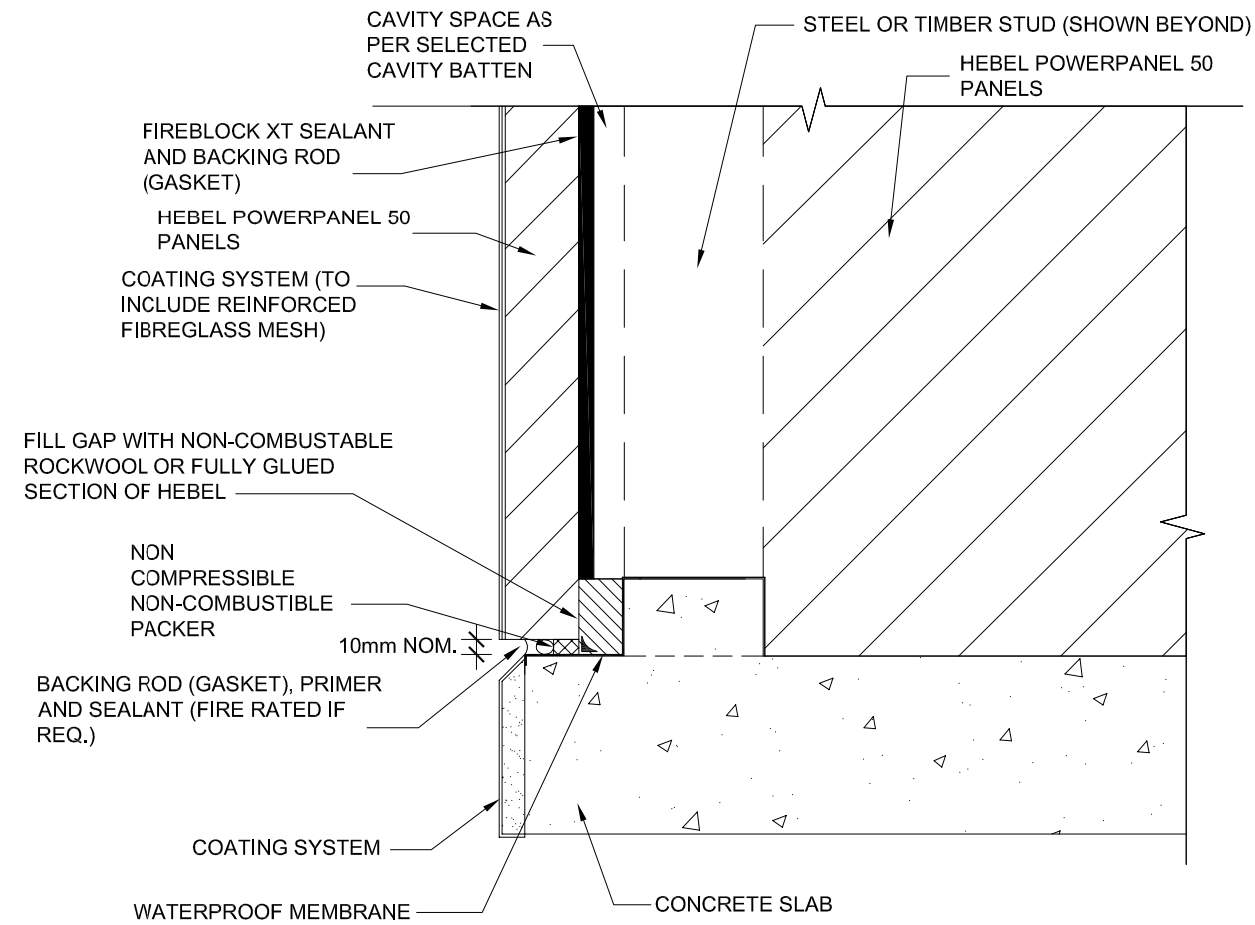


## HORIZONTAL CONTROL JOINT - BRICK VENEER TO HEBEL POWERPANEL<sup>50</sup> - OPTION 2



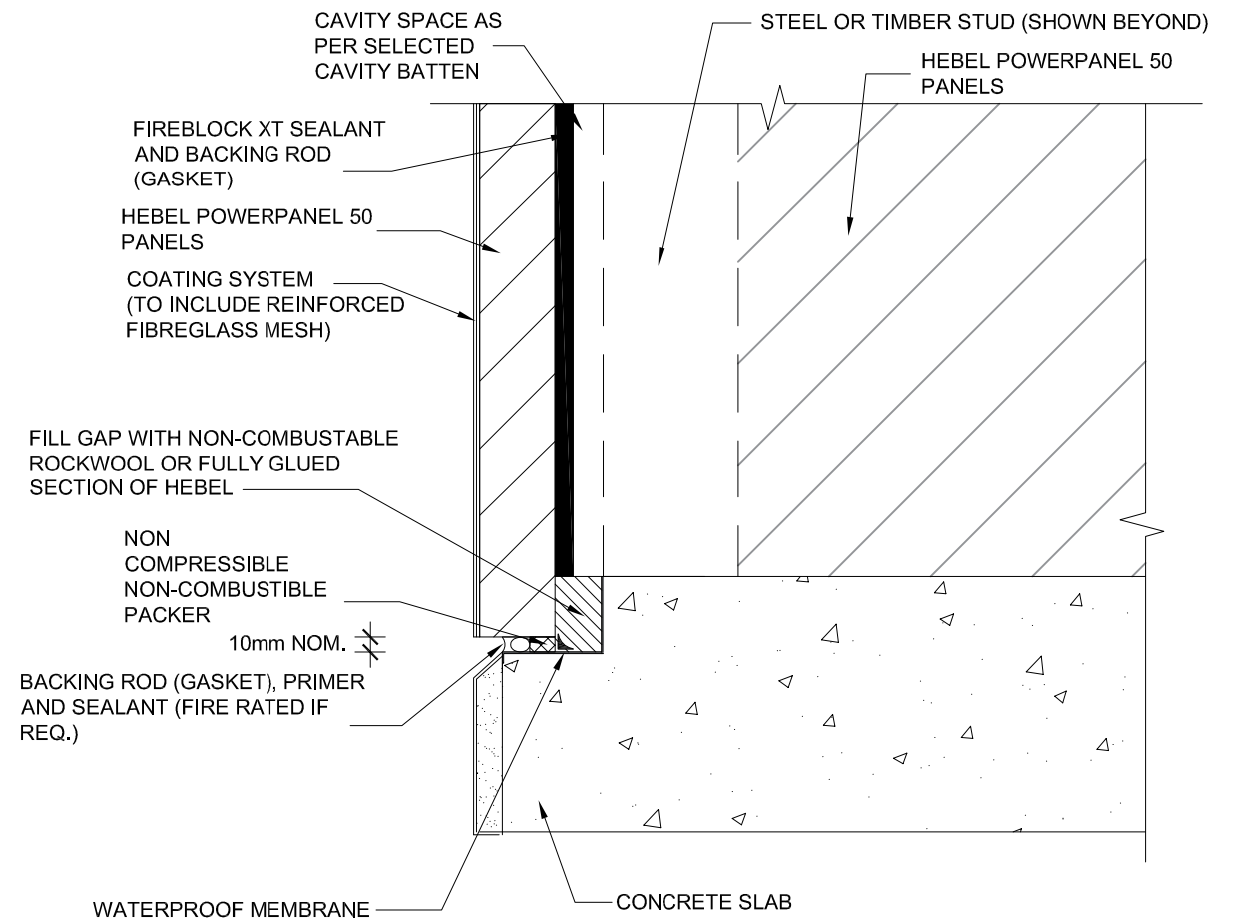
Scale	AS SHOWN	 HEBEL NORTH RYDE - NSW - Australia	Drawn E.T.	Date 22.03.21
Tolerances	AS SHOWN		Checked N.G.	Date 22.03.21
	DRAWN TO AS 1100	This document is confidential. This document and its copyright are the property of or licensed to CSR Limited, and must not be used, disclosed or reproduced in any form whatsoever except as authorised in writing. This document must be returned with quotation and/or on completion of the project as applicable.	Approved N.G.	Date 22.03.21
	 DIMENSIONS IN MILLIMETRES DO NOT SCALE		Project: 50mm HEBEL POWERPANEL HORIZONTAL FACADE	
			Drawing Number: PP50-H-F-010	
			Sheet 10	Revision E

# 50mm HIGH RISE FACADE DETAILS - INTERTENANCY WALL TO EXTERNAL WALL JUNCTION DETAILS



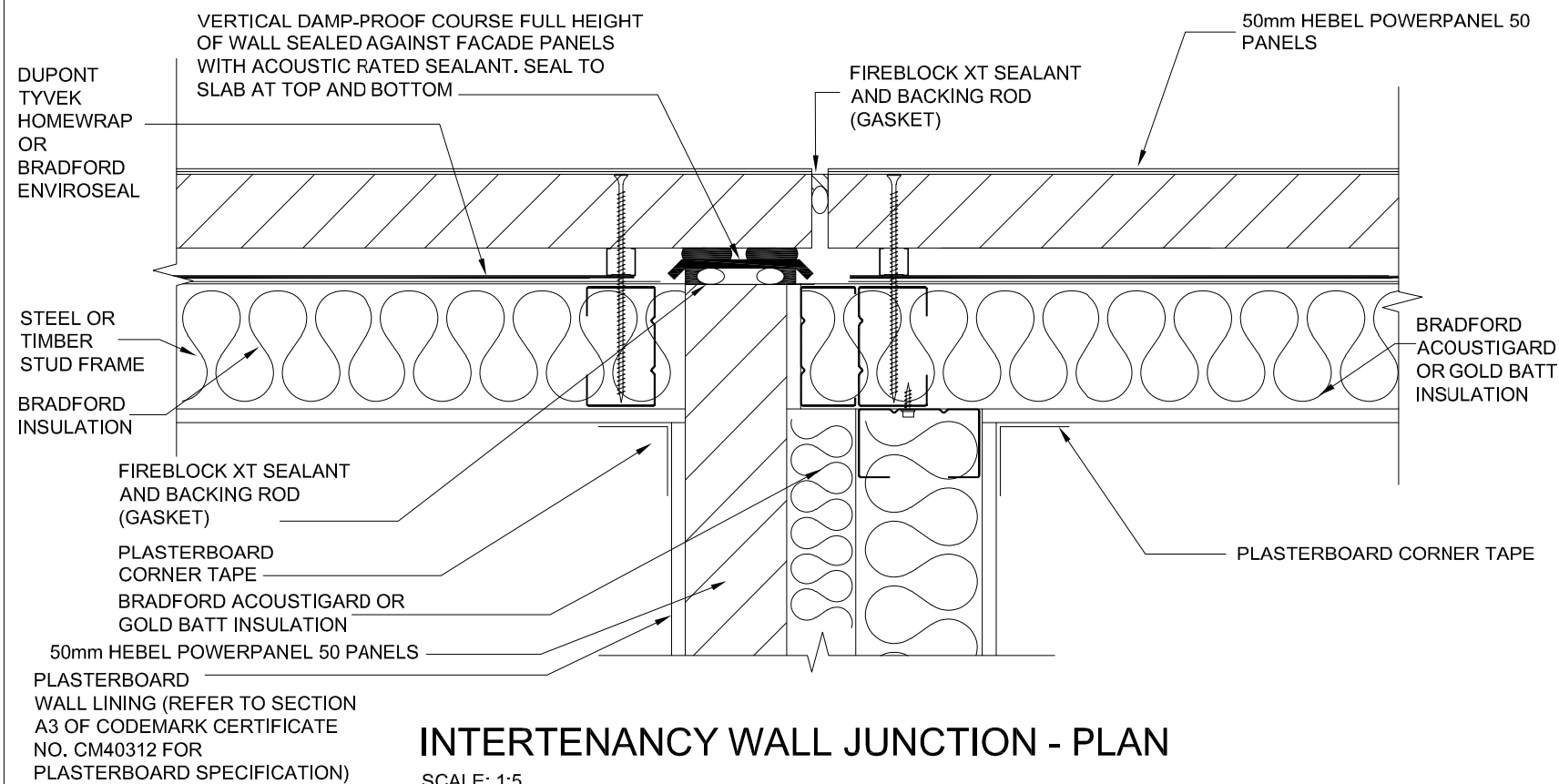
**INTERTENANCY WALL JUNCTION - ELEVATION (HOB)**

SCALE: 1:5




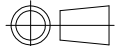
**INTERTENANCY WALL JUNCTION - ELEVATION**

SCALE: 1:5

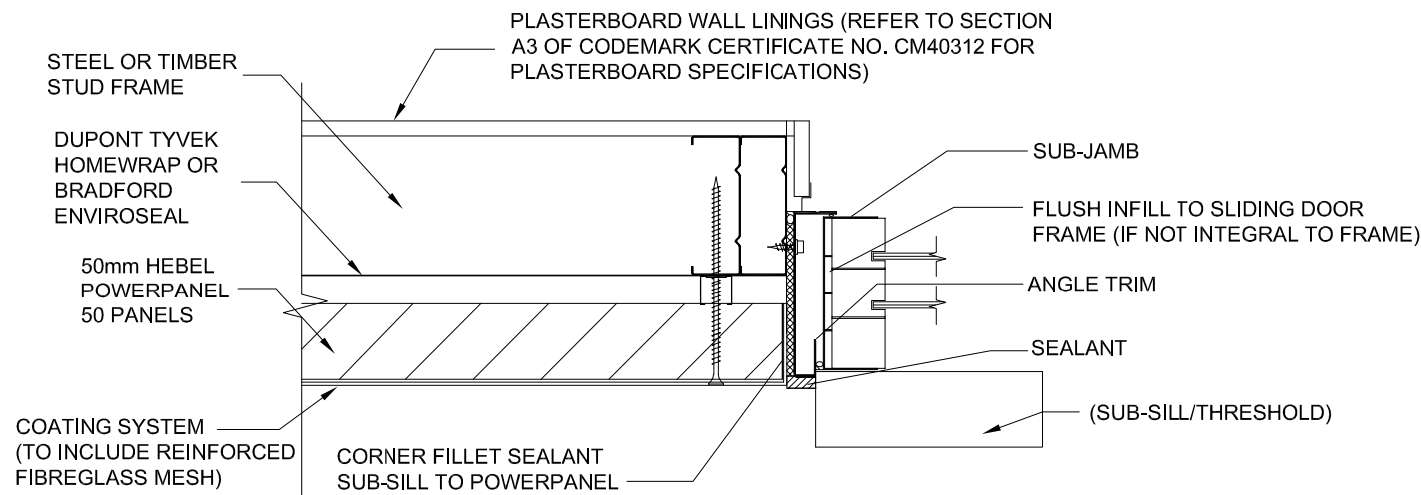


**INTERTENANCY WALL JUNCTION - PLAN**

SCALE: 1:5

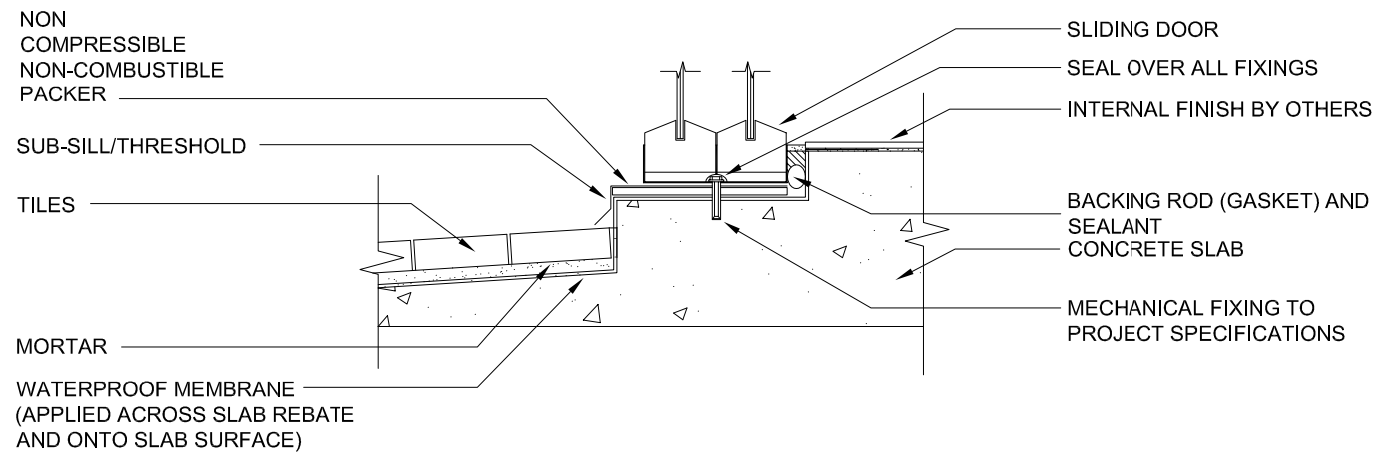
Scale	AS SHOWN	 HEBEL NORTH RYDE - NSW - Australia	Drawn	E.T.	Date	22.03.21
Tolerances	AS SHOWN		Checked	N.G.	Date	22.03.21
	DRAWN TO AS 1100	This document is confidential. This document and its copyright are the property of or licensed to CSR Limited, and must not be used, disclosed or reproduced in any form whatsoever except as authorised in writing. This document must be returned with quotation and/or on completion of the project as applicable.	Approved	N.G.	Date	22.03.21
	 DIMENSIONS IN MILLIMETRES DO NOT SCALE		Project:	50mm HEBEL POWERPANEL HORIZONTAL FACADE		
			Drawing Number	PP50-H-F-011		
			Sheet	11	of	Revision
						E

# 50mm HIGH RISE FACADE DETAILS - SLIDING DOOR JUNCTION



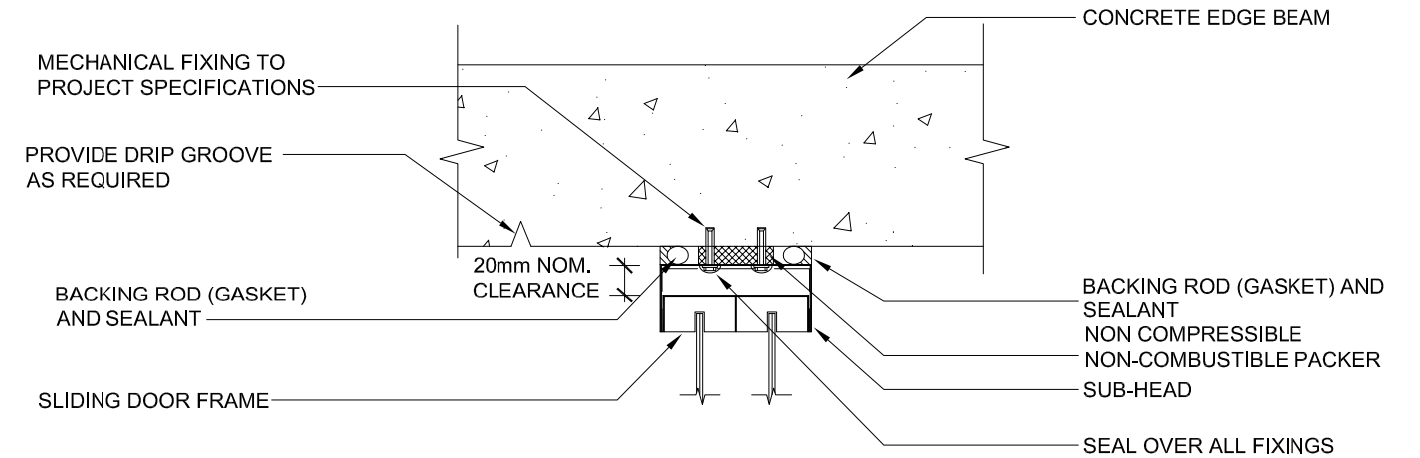
**SLIDING DOOR JAMB AT BASE**

SCALE: 1:5



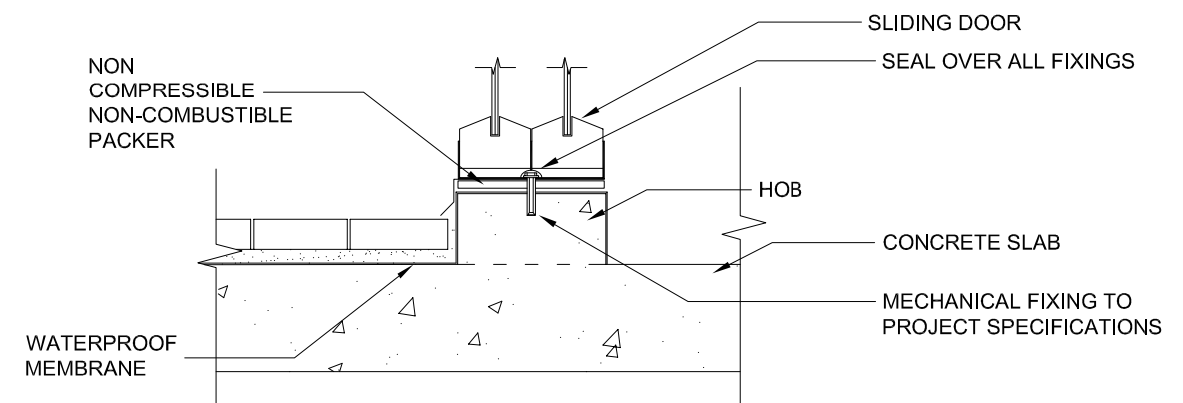
**SLIDING DOOR BASE - SIDE ELEVATION**

SCALE: 1:5




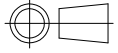
**SLIDING DOOR HEAD**

SCALE: 1:5

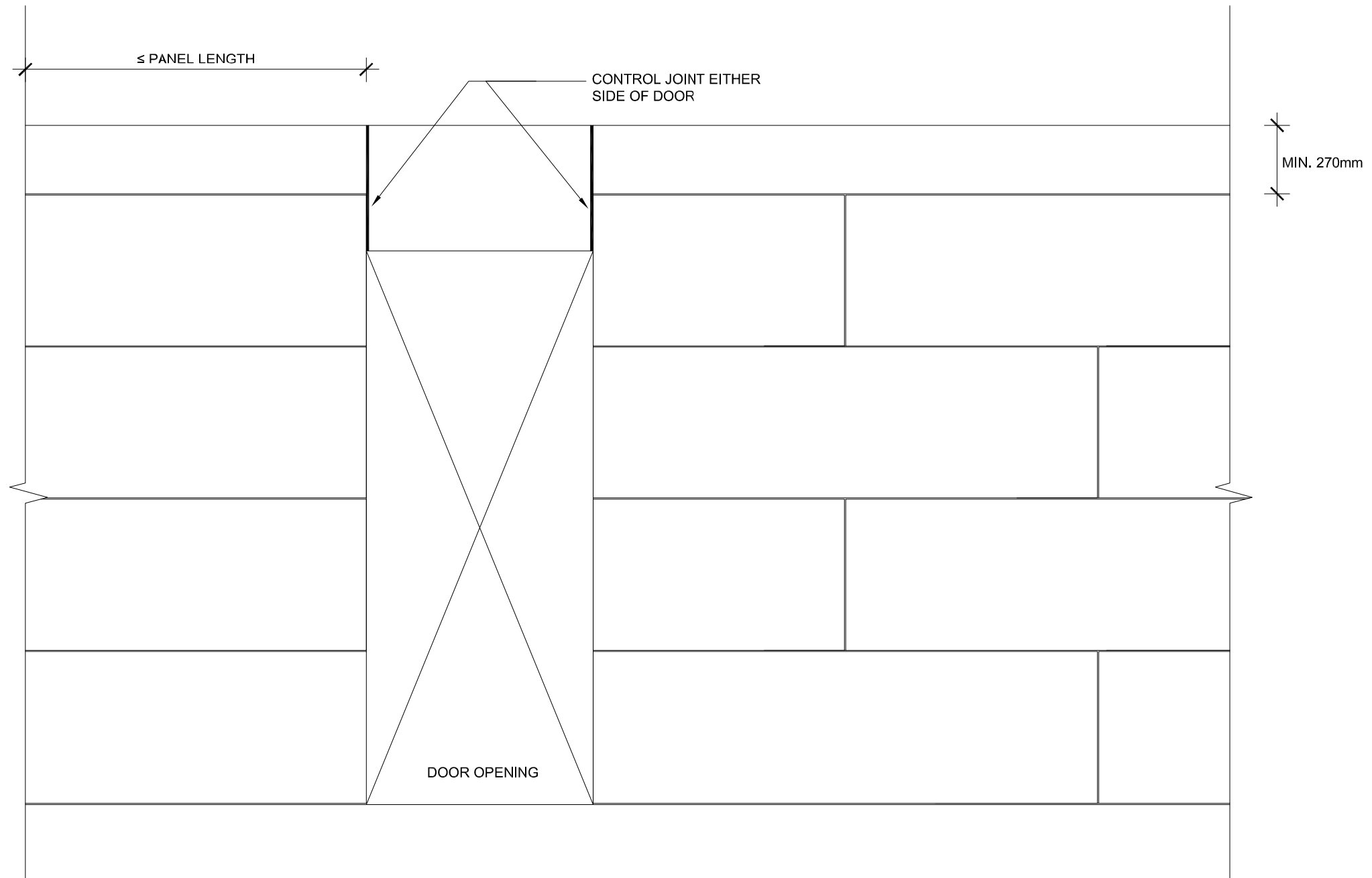


**SLIDING DOOR BASE - SIDE ELEVATION (HOB)**

SCALE: 1:5

Scale	AS SHOWN	 HEBEL NORTH RYDE - NSW - Australia	Drawn	E.T.	Date	22.03.21
Tolerances	AS SHOWN		Checked	N.G.	Date	22.03.21
	DRAWN TO AS 1100	This document is confidential. This document and its copyright are the property of or licensed to CSR Limited, and must not be used, disclosed or reproduced in any form whatsoever except as authorised in writing. This document must be returned with quotation and/or on completion of the project as applicable.	Approved	N.G.	Date	22.03.21
	 DIMENSIONS IN MILLIMETRES DO NOT SCALE		Project:		50mm HEBEL POWERPANEL HORIZONTAL FACADE	
			Drawing Number:		PP50-H-F-012	
			Sheet	12	of	Revision

# 50mm HIGH RISE FACADE DETAILS - CONTROL JOINT AT DOOR OPENINGS


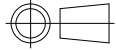


## CONTROL JOINTS AT DOOR OPENINGS

SCALE: 1:20

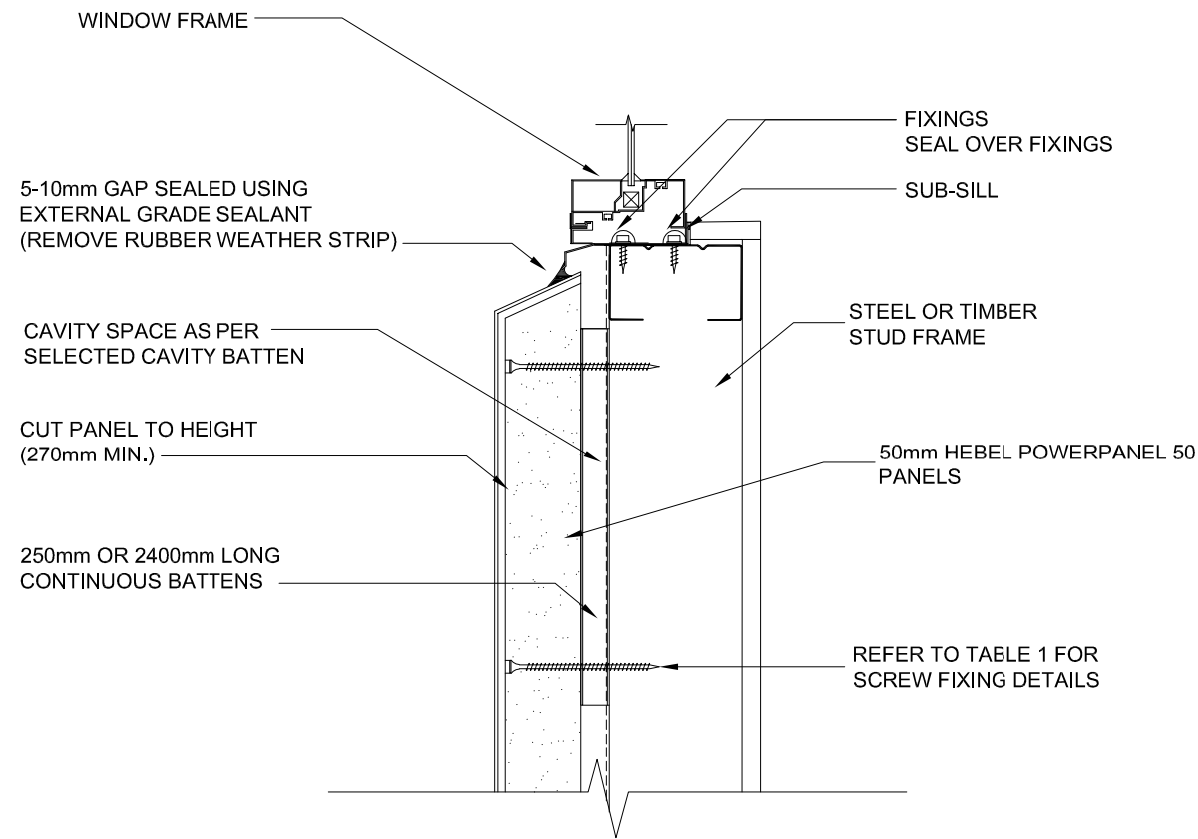
### NOTE:

1. VERTICAL CONTROL JOINTS ARE REQUIRED AT MAXIMUM 6m CENTRES.
2. VERTICAL CONTROL JOINTS ARE REQUIRED AT ABOVE AND BELOW ALL DOORS.
3. VERTICAL CONTROL JOINTS ARE REQUIRED ABOVE AND BELOW WINDOW OPENINGS WHEN CONTROL JOINT SPACING EXCEEDS 6m.
4. VERTICAL CONTROL JOINTS ARE REQUIRED AT EXTERNAL AND INTERNAL CORNERS.

Scale	AS SHOWN	 HEBEL NORTH RYDE - NSW - Australia	Drawn	H.T	Date	22.03.21	
Tolerances	AS SHOWN		Checked	N.G	Date	22.03.21	
	DRAWN TO AS 1100	This document is confidential. This document and its copyright are the property of or licensed to CSR Limited, and must not be used, disclosed or reproduced in any form whatsoever except as authorised in writing. This document must be returned with quotation and/or on completion of the project as applicable.	Approved	N.G	Date	22.03.21	
	 DIMENSIONS IN MILLIMETRES DO NOT SCALE		Project:	50mm HEBEL POWERPANEL HORIZONTAL FACADE			
			Drawing Number	PP50-H-F-013			
			Sheet	13	of	Revision	E

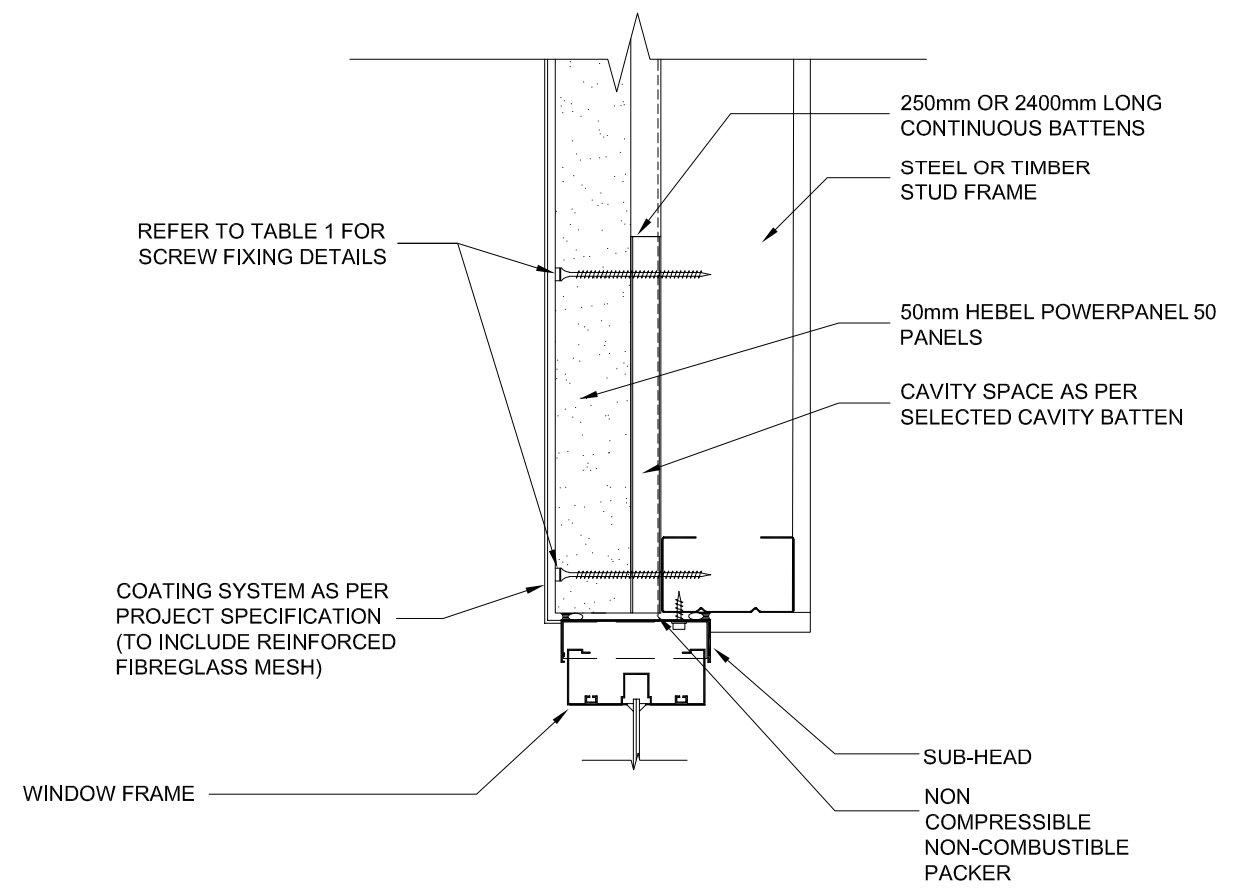
50mm FACADE DOOR OPENING

# 50mm HIGH RISE FACADE DETAILS - WINDOW JUNCTION DETAILS



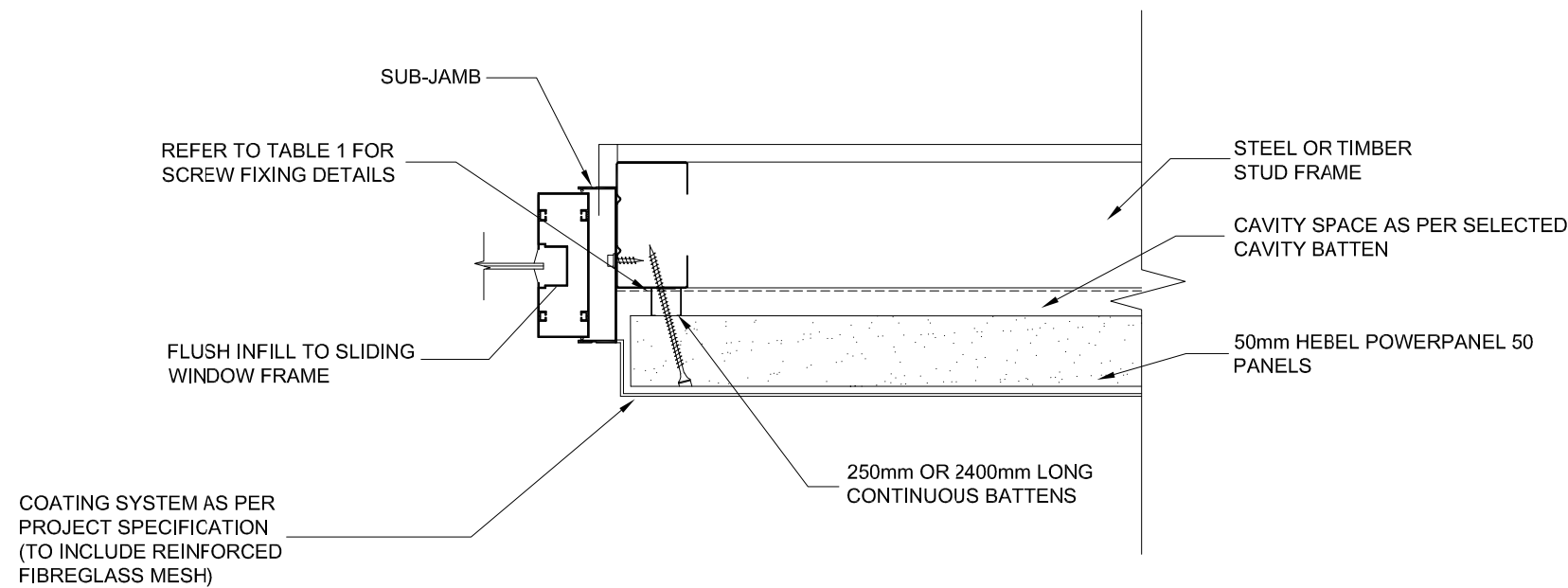
**WINDOW SILL - SECTION**

SCALE: 1:5



**WINDOW HEAD - SECTION**

SCALE: 1:5



**WINDOW JAMB - SECTION**

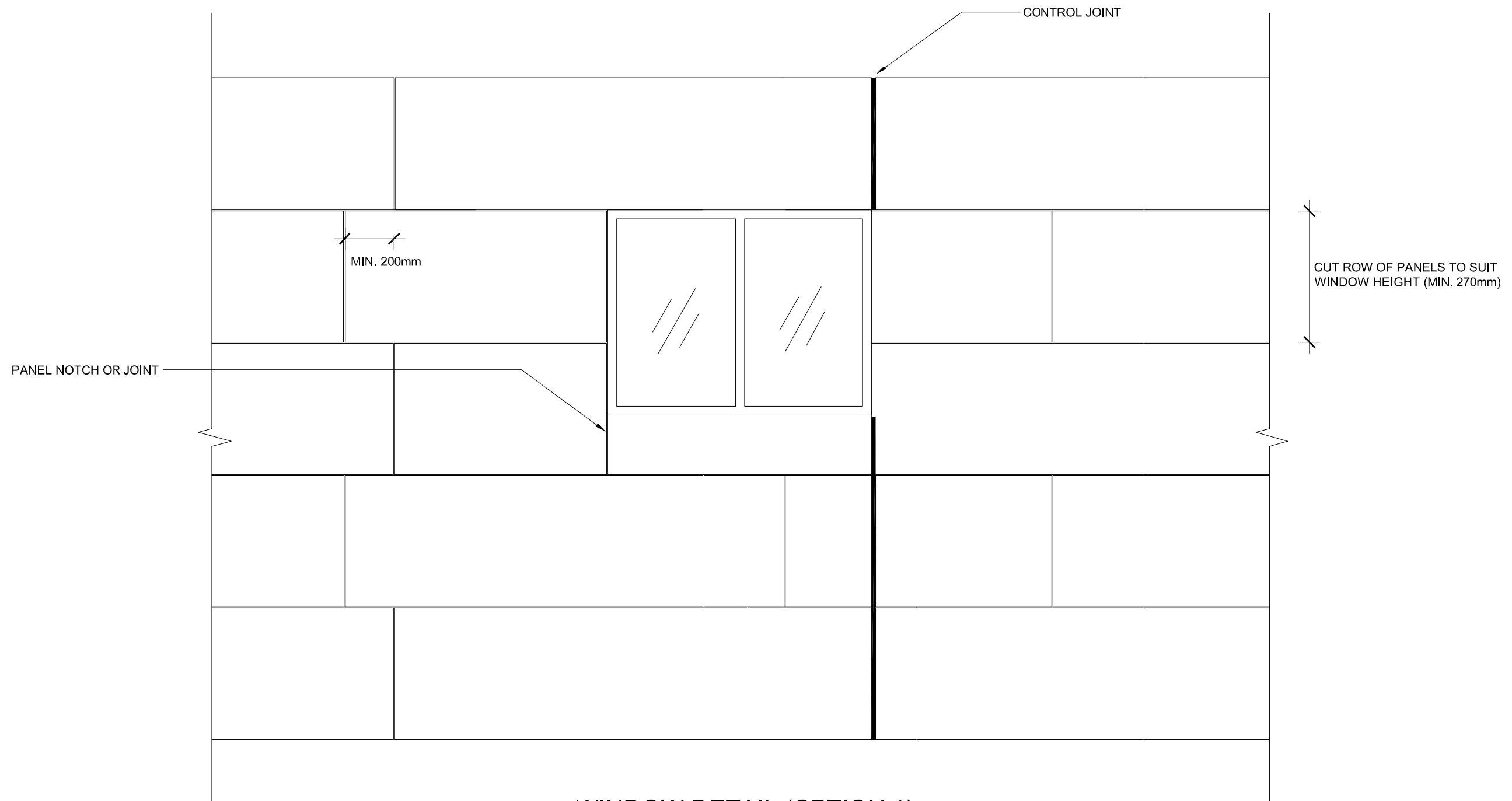
SCALE: 1:5

**NOTE:**

1. WALL WRAP MUST BE TAPED BACK TO THE STUD FRAME ALONG OPENING PERIMETER
2. WINDOWS TO COMPLY WITH AS 2047 : 2014.

Scale	AS SHOWN	 HEBEL NORTH RYDE - NSW - Australia	Drawn	E.T	Date	22.03.21
			Checked	N.G	Date	22.03.21
Tolerances	AS SHOWN	<small>This document is confidential. This document and its copyright are the property of or licensed to CSR Limited, and must not be used, disclosed or reproduced in any form whatsoever except as authorised in writing. This document must be returned with quotation and/or on completion of the project as applicable.</small>	Approved	N.G	Date	22.03.21
			Project: 50mm HEBEL POWERPANEL HORIZONTAL FACADE			
	DRAWN TO AS 1100  DIMENSIONS IN MILLIMETRES DO NOT SCALE	50mm FACADE WINDOW FRAME DETAILS		Drawing Number PP50-H-F-014		
		Sheet	14	of	Revision	E

# 50mm HIGH RISE FACADE DETAILS - WINDOW DETAIL (OPTION 1)


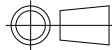


**WINDOW DETAIL (OPTION 1)**

SCALE: 1:20

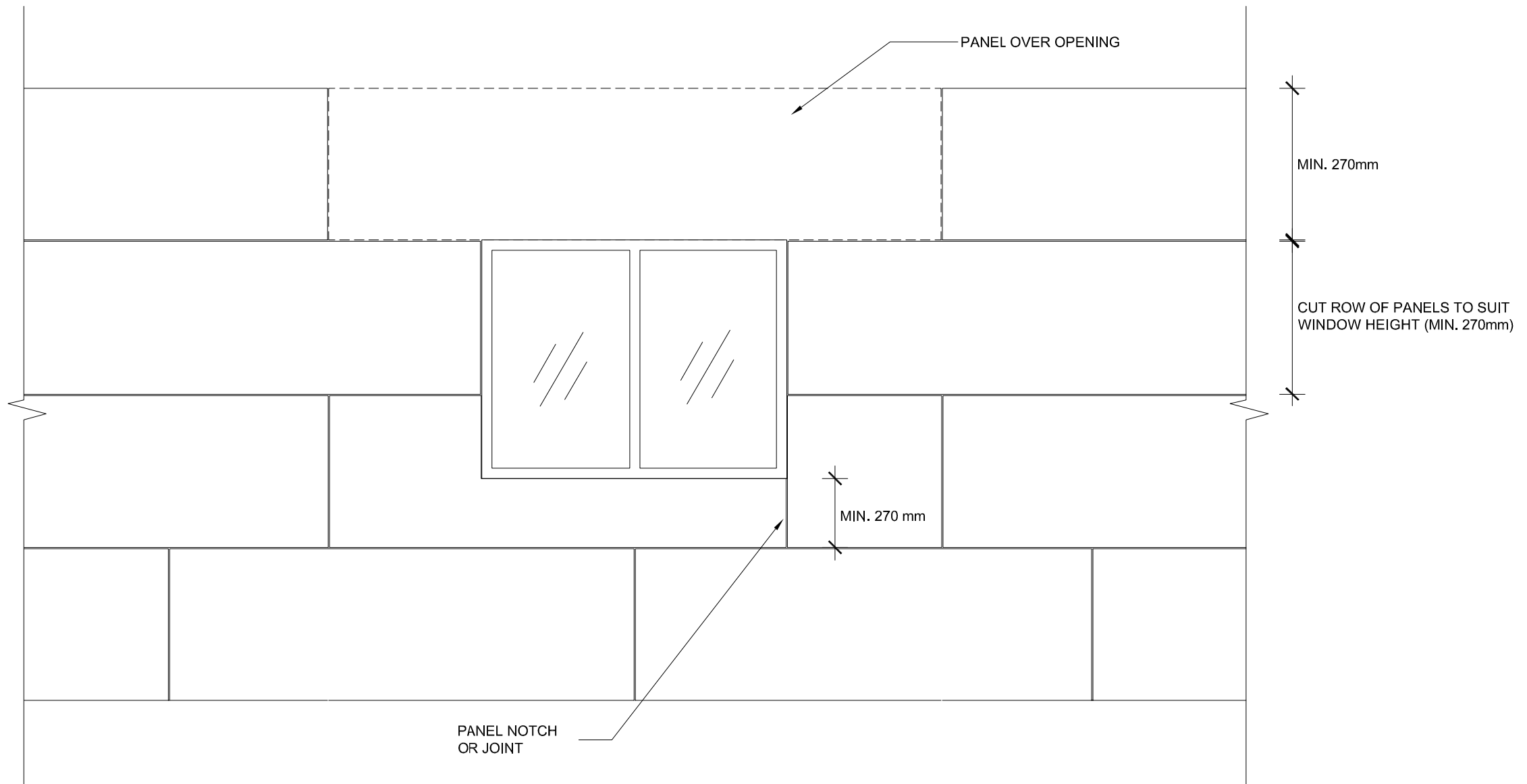
**NOTE:**

1. VERTICAL CONTROL JOINTS ARE REQUIRED AT MAXIMUM 6m CENTRES.
2. VERTICAL CONTROL JOINTS ARE REQUIRED AT ABOVE AND BELOW ALL DOORS.
3. VERTICAL CONTROL JOINTS ARE REQUIRED ABOVE AND BELOW WINDOW OPENINGS WHEN CONTROL JOINT SPACING EXCEEDS 6m.
4. VERTICAL CONTROL JOINTS ARE REQUIRED AT EXTERNAL AND INTERNAL CORNERS.
5. WINDOWS TO COMPLY TO AS 2047 : 2014.

Scale	AS SHOWN	 HEBEL NORTH RYDE - NSW - Australia	Drawn	H.T	Date	22.03.21
Tolerances	AS SHOWN		Checked	N.G	Date	22.03.21
	DRAWN TO AS 1100	This document is confidential. This document and its copyright are the property of or licensed to CSR Limited, and must not be used, disclosed or reproduced in any form whatsoever except as authorised in writing. This document must be returned with quotation and/or on completion of the project as applicable.	Approved	N.G	Date	22.03.21
	 DIMENSIONS IN MILLIMETRES DO NOT SCALE		Project:		50mm HEBEL POWERPANEL HORIZONTAL FACADE	
			Drawing Number:		PP50-H-F-015	
			Sheet	15	of	Revision
						E

50mm FACADE WINDOW OPENING -1

# 50mm HIGH RISE FACADE DETAILS - WINDOW DETAIL (OPTION 2)


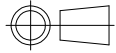


## WINDOW DETAIL (OPTION 2)

SCALE: 1:20

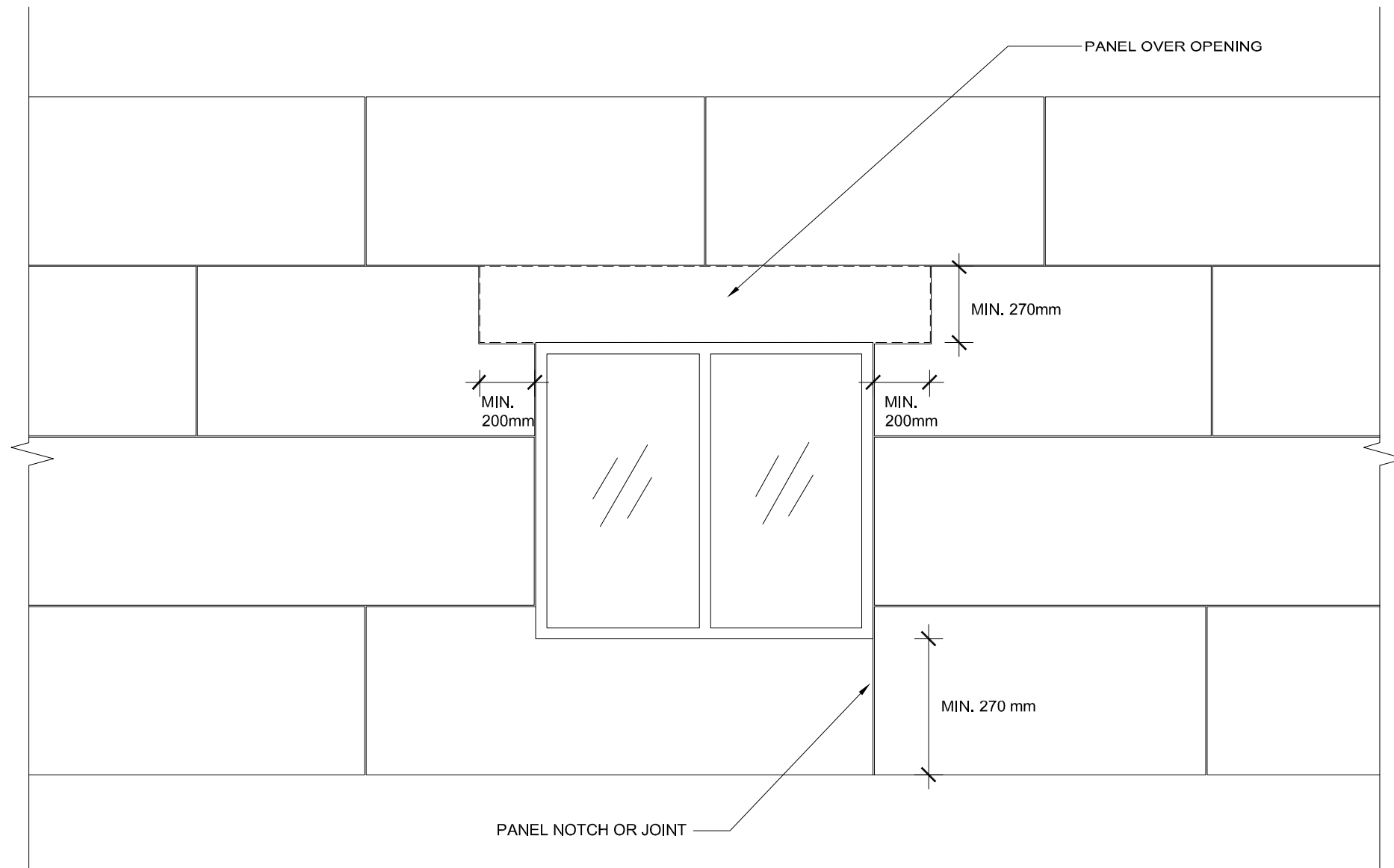
**NOTE:**

1. VERTICAL CONTROL JOINTS ARE REQUIRED AT MAXIMUM 6m CENTRES.
2. VERTICAL CONTROL JOINTS ARE REQUIRED AT ABOVE AND BELOW ALL DOORS.
3. VERTICAL CONTROL JOINTS ARE REQUIRED ABOVE AND BELOW WINDOW OPENINGS WHEN EXCEEDS 6m.
4. VERTICAL CONTROL JOINTS ARE REQUIRED AT EXTERNAL AND INTERNAL CORNERS.
5. WINDOW TO COMPLY TO AS 2047 : 2014.

Scale	AS SHOWN	 HEBEL NORTH RYDE - NSW - Australia	Drawn	H.T	Date	22.03.21
Tolerances	AS SHOWN		Checked	N.G	Date	22.03.21
	DRAWN TO AS 1100	This document is confidential. This document and its copyright are the property of or licensed to CSR Limited, and must not be used, disclosed or reproduced in any form whatsoever except as authorised in writing. This document must be returned with quotation and/or on completion of the project as applicable.	Approved	N.G	Date	22.03.21
	 DIMENSIONS IN MILLIMETRES DO NOT SCALE		Project:		50mm HEBEL POWERPANEL HORIZONTAL FACADE	
			Drawing Number:		PP50-H-F-016	
			Sheet	16	of	Revision
						E




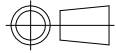
# 50mm HIGH RISE FACADE DETAILS - WINDOW DETAIL (OPTION 3)



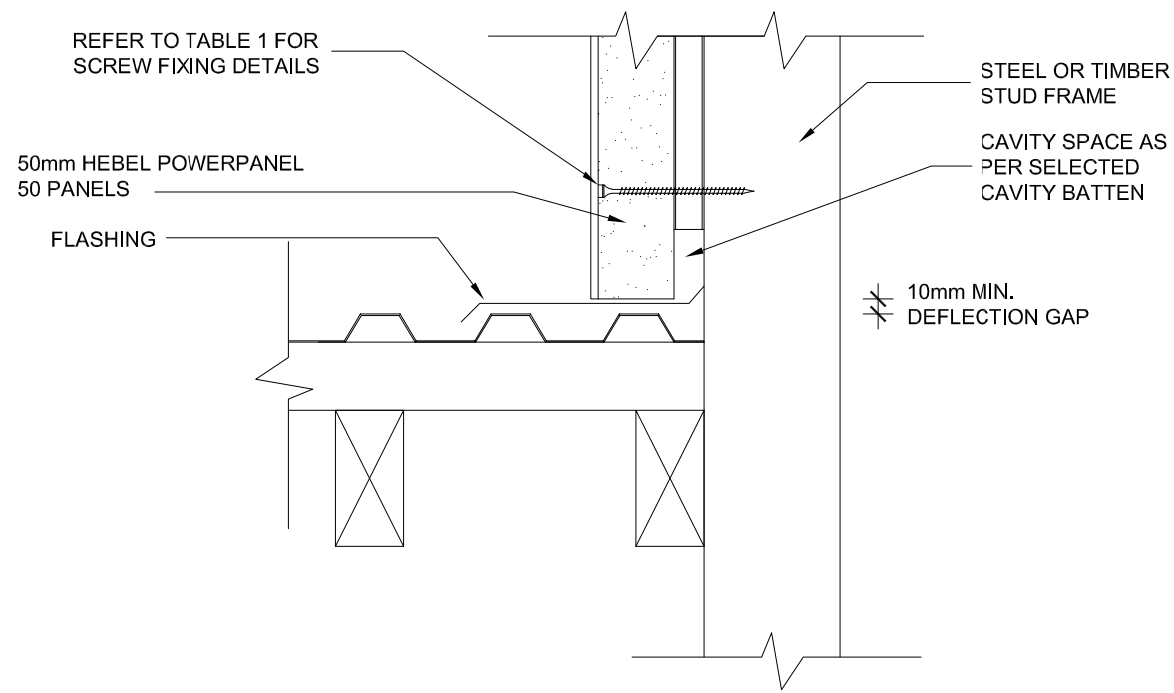
**WINDOW DETAIL (OPTION 3)**  
SCALE: 1:20

**NOTE:**

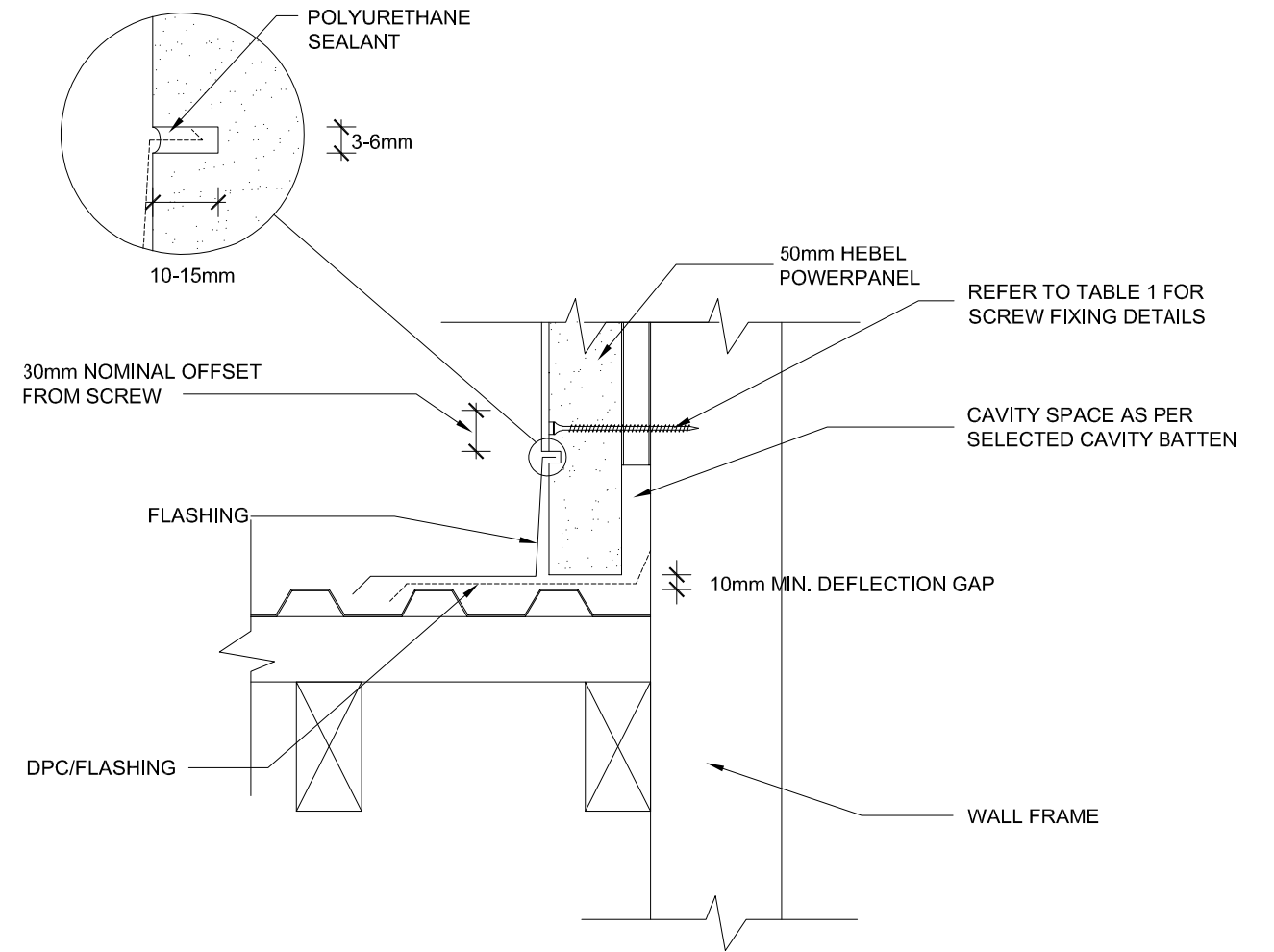
1. VERTICAL CONTROL JOINTS ARE REQUIRED AT MAXIMUM 6m CENTRES.
2. VERTICAL CONTROL JOINTS ARE REQUIRED AT ABOVE AND BELOW ALL DOORS.
3. VERTICAL CONTROL JOINTS ARE REQUIRED ABOVE AND BELOW WINDOW OPENINGS WHEN EXCEEDS 6m.
4. VERTICAL CONTROL JOINTS ARE REQUIRED AT EXTERNAL AND INTERNAL CORNERS.
5. WINDOWS TO COMPLY TO AS 2047 : 2014.

Scale	AS SHOWN	 HEBEL NORTH RYDE - NSW - Australia	Drawn	H.T	Date	22.03.21
Tolerances	AS SHOWN		Checked	N.G	Date	22.03.21
	DRAWN TO AS 1100	This document is confidential. This document and its copyright are the property of or licensed to CSR Limited, and must not be used, disclosed or reproduced in any form whatsoever except as authorised in writing. This document must be returned with quotation and/or on completion of the project as applicable.	Approved	N.G	Date	22.03.21
	 DIMENSIONS IN MILLIMETRES DO NOT SCALE		Project:		50mm HEBEL POWERPANEL HORIZONTAL FACADE	
			Drawing Number:		PP50-H-F-017	
			Sheet	17	of	Revision
						E


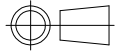
# 50mm HIGH RISE FACADE DETAILS - WALL TO ROOF JUNCTIONS



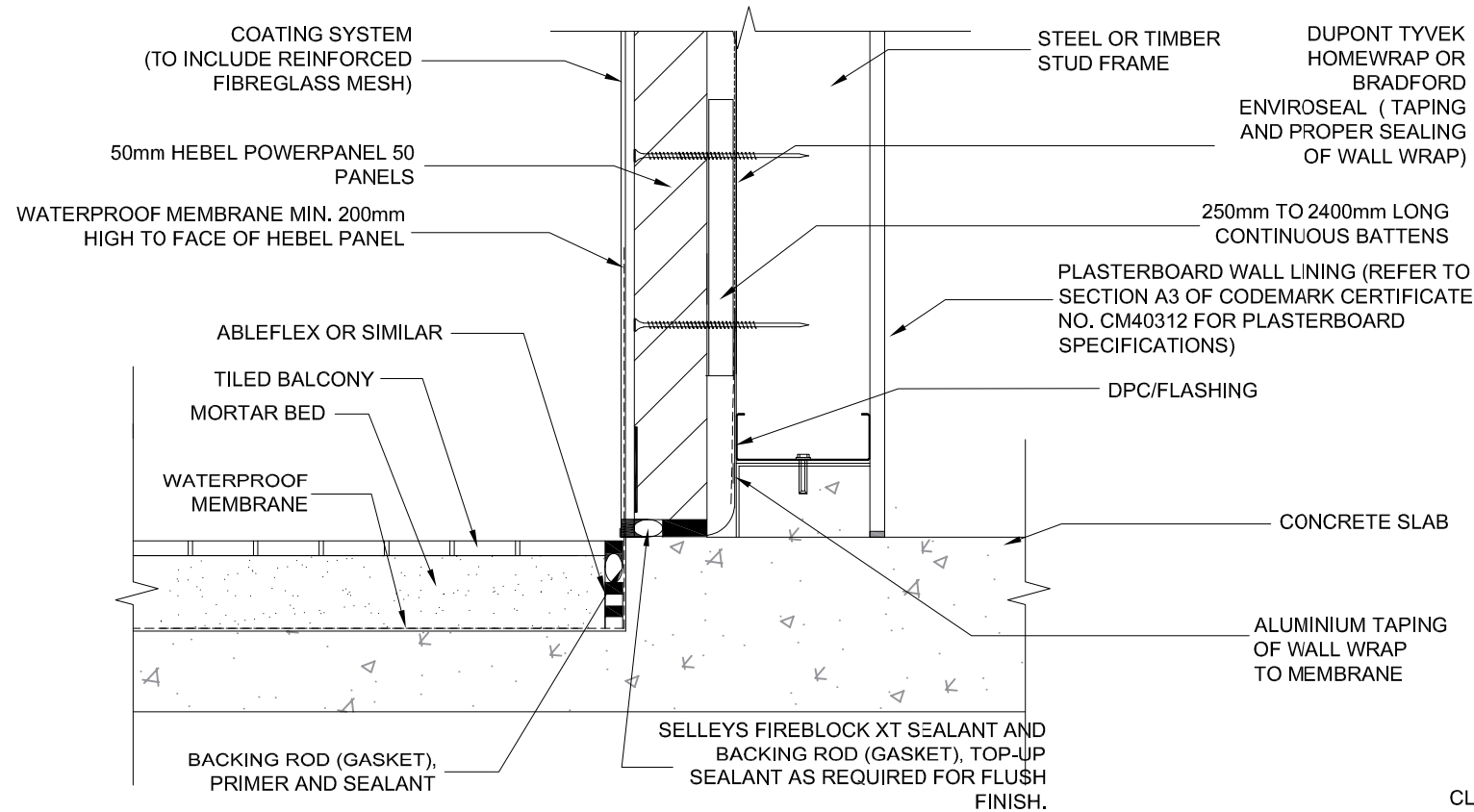
**ROOF TO WALL JUNCTION DETAIL - OPTION 1**  
SCALE 1:5



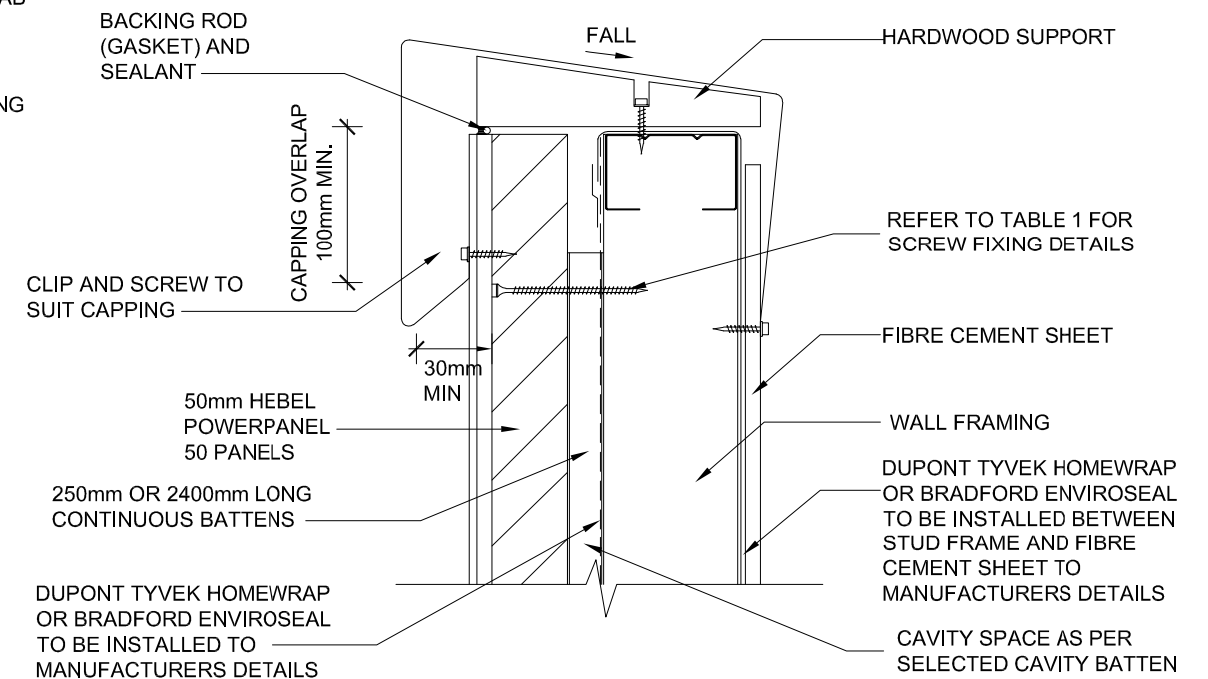
**ROOF TO WALL JUNCTION DETAIL - OPTION 2**  
SCALE 1:5

Scale	AS SHOWN	 HEBEL NORTH RYDE - NSW - Australia	Drawn E.T.	Date 22.03.21
Tolerances	AS SHOWN		Checked N.G.	Date 22.03.21
	DRAWN TO AS 1100	This document is confidential. This document and its copyright are the property of or licensed to CSR Limited, and must not be used, disclosed or reproduced in any form whatsoever except as authorised in writing. This document must be returned with quotation and/or on completion of the project as applicable.	Approved N.G.	Date 22.03.21
	 DIMENSIONS IN MILLIMETRES DO NOT SCALE		Project: 50mm HEBEL POWERPANEL HORIZONTAL FACADE	
			Drawing Number: PP50-H-F-018	
			Sheet 18	Revision E

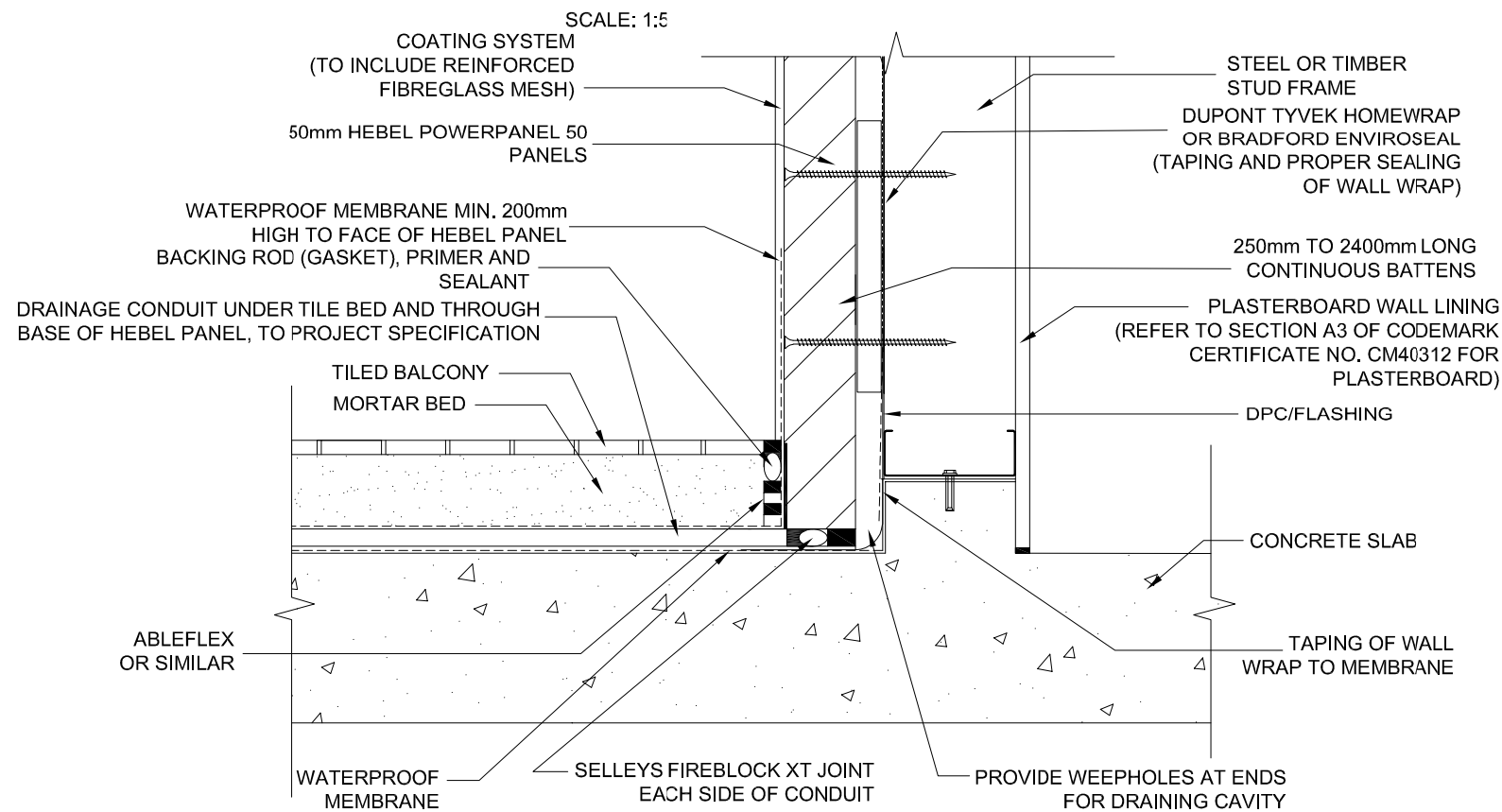
# 50mm HIGH RISE FACADE DETAILS - PARAPET CAPPING AND BALCONY DETAILS



**BALCONY DETAIL - OPTION 1**



**PARAPET CAPPING**



**BALCONY DETAIL - OPTION 2**

Scale	AS SHOWN	 HEBEL NORTH RYDE - NSW - Australia	Drawn E.T.	Date 22.03.21
			Checked N.G.	Date 22.03.21
Tolerances	AS SHOWN	This document is confidential. This document and its copyright are the property of or licensed to CSR Limited, and must not be used, disclosed or reproduced in any form whatsoever except as authorised in writing. This document must be returned with quotation and/or on completion of the project as applicable.	Approved N.G.	Date 22.03.21
			Project: 50mm HEBEL POWERPANEL HORIZONTAL FACADE	
	DRAWN TO AS 1100	50mm FACADE PARAPET CAPPING AND BALCONY DETAILS	Drawing Number PP50-H-F-019	
	 DIMENSIONS IN MILLIMETRES DO NOT SCALE		Sheet 19 of	Revision E